



COMPONENTS MAINTENANCE MANUAL  
SUPPLEMENTARY SURVIVAL KIT

**COMPONENT MAINTENANCE MANUAL  
WITH  
ILLUSTRATED PARTS LIST**

**SUPPLEMENTARY SURVIVAL KIT**

**P3APP000510A**

**P3APP000511A**

**P3APP000512A**

**P3APP000513A**

**P3APP000514A**

**P3APP000515A**

THIS DOCUMENT CONTAINS TECHNOLOGY OR TECHNICAL DATA NOT CONTROLLED UNDER GERMAN REGULATIONS. IT MAY CONTAIN 9A610.Y OR EAR99 TECHNICAL DATA. HOWEVER LOCAL REGULATIONS APPLY.

**25-62-01**

Rev. No. 00  
Rev. Date May 06/2022  
Page TITLE 1



COMPONENTS MAINTENANCE MANUAL  
SUPPLEMENTARY SURVIVAL KIT

**Copyright © 2022 Umlaut engineering GmbH.**

**PROPRIETARY INFORMATION DISCLOSURE RESTRICTION**

The information contained in this document is umlaut engineering GmbH proprietary information. It is disclosed in confidence and is intended for internal use only by umlaut engineering GmbH authorized owner/lessee operators and repair stations. It is the property of umlaut engineering GmbH and must not be altered, reused, disclosed to others or reproduced for distribution or redistribution in any form, paper or electronic, without the express written consent of umlaut engineering GmbH. This includes but is not limited to its use in the creation, manufacture, development, or derivation of any repairs, modifications, spare parts, design, or configuration changes or to obtain FAA or any other government or regulatory approval to do so. If consent is given for reproduction in whole or part, this notice must appear in any such reproduction in whole.

Umlaut engineering GmbH assumes no liability whatsoever, whether contractual, warranty, tort or otherwise, for unauthorized alteration or alterations not performed in accordance with umlaut engineering GmbH approved procedures.



COMPONENTS MAINTENANCE MANUAL  
SUPPLEMENTARY SURVIVAL KIT  
HIGHLIGHTS

TO: HOLDERS OF COMPONENT MAINTENANCE MANUAL FOR SUPPLEMENTARY SURVIVAL KIT, ATA 25-62-01

REVISION NO. 00

PAGE BLOCK	DESCRIPTION OF CHANGE



COMPONENTS MAINTENANCE MANUAL  
SUPPLEMENTARY SURVIVAL KIT

INTENTIONALLY LEFT BLANK





COMPONENTS MAINTENANCE MANUAL  
SUPPLEMENTARY SURVIVAL KIT  
RECORD OF REVISIONS

RE. NO.	ISSUE DATE	INSERTED DATE	
		DATE	BY

RE. NO.	ISSUE DATE	INSERTED DATE	
		DATE	BY

Retain this record in the front of the manual.

On the receipt of revisions, insert revised page in the manual and enter revision number, date and initials.



COMPONENTS MAINTENANCE MANUAL  
SUPPLEMENTARY SURVIVAL KIT

INTENTIONALLY LEFT BLANK



COMPONENTS MAINTENANCE MANUAL  
SUPPLEMENTARY SURVIVAL KIT  
LIST OF SERVICE BULLETINS

NOT APPLICABLE



COMPONENTS MAINTENANCE MANUAL  
SUPPLEMENTARY SURVIVAL KIT

INTENTIONALLY LEFT BLANK



COMPONENT MAINTENANCE MANUAL  
SUPPLEMENTARY SURVIVAL KIT

LIST OF EFFECTIVE PAGES

<u>SUBJECT</u>	<u>PAGE</u>	<u>DATE</u>	<u>RE</u>	<u>SUBJECT</u>	<u>PAGE</u>	<u>DATE</u>	<u>RE</u>
<u>TITLE PAGE</u>				<u>INTRODUCTION</u>			
	TITLE 1	May 06/2022	00		INTRO 1	May 06/2022	00
	TITLE 2	blank	00		INTRO 2	May 06/2022	00
<u>HIGHLIGHTS</u>				<u>DESCRIPTION AND OPERATION</u>			
	HIGHLIGHTS 1	May 06/2022	00		1	May 06/2022	00
	HIGHLIGHTS 2	blank	00		2	May 06/2022	00
					3	May 06/2022	00
<u>RECORD OF REVISIONS</u>					4	blank	00
	ROR 1	May 06/2022	00	<u>TESTING AND FAULT ISOLATION</u>			
	ROR 2	blank	00		1001	May 06/2022	00
					1002	blank	00
<u>SERVICE BULLETIN LIST</u>				<u>DISASSEMBLY</u>			
	SBL 1	May 06/2022	00		3001	May 06/2022	00
	SBL 2	blank	00		3002	May 06/2022	00
<u>LIST OF EFFECTIVE PAGES</u>					3003	May 06/2022	00
	LEP 1	May 06/2022	00		3004	May 06/2022	00
	LEP 2	May 06/2022	00		3005	May 06/2022	00
	LEP 3	May 06/2022	00		3006	blank	00
	LEP 4	blank	00	<u>CLEANING</u>			
<u>TABLE OF CONTENTS</u>					4001	May 06/2022	00
	TOC 1	May 06/2022	00	<u>INSPECTION/CHECK</u>			
	TOC 2	May 06/2022	00		5001	May 06/2022	00
<u>LIST OF ILLUSTRATIONS</u>					5002	blank	00
	LOI 1	May 06/2022	00	<u>REPAIR</u>			
	LOI 2	blank	00		6001	May 06/2022	00
<u>LIST OF TABLES</u>					6002	blank	00
	LOT 1	May 06/2022	00				
	LOT 2	blank	00				



COMPONENT MAINTENANCE MANUAL  
 SUPPLEMENTARY SURVIVAL KIT  
LIST OF EFFECTIVE PAGES

<u>SUBJECT</u>	<u>PAGE</u>	<u>DATE</u>	<u>RE</u>	<u>SUBJECT</u>	<u>PAGE</u>	<u>DATE</u>	<u>RE</u>
<u>ASSEMBLY</u>				<u>STORAGE INCLUDING TRANSPORTATION</u>			
	7001	May 06/2022	00				
	7002	May 06/2022	00		15001	May 06/2022	00
	7003	May 06/2022	00		15002	blank	00
	7004	May 06/2022	00				
	7005	May 06/2022	00	<u>REWORK</u>			
	7006	blank	00		16001	May 06/2022	00
<u>FITS AND CLEARANCES</u>					16002	blank	00
	8001	May 06/2022	00	<u>ILLUSTRATED PARTS LIST</u>			
	8002	blank	00				
<u>SPECIAL TOOLS, FIXTURES, EQUIPMENT AND CONSUMABLES</u>					IPL-TP 10001	May 06/2022	00
					IPL-TP 10002	blank	00
	9001	May 06/2022	00	<u>IPL - INTRODUCTION</u>			
	9002	blank	00				
<u>SPECIAL PROCEDURES</u>					INTRO 10001	May 06/2022	00
					INTRO 10002	May 06/2022	00
					INTRO 10003	May 06/2022	00
	11001	May 06/2022	00		INTRO 10004	blank	00
	11002	blank	00	<u>NUMERICAL INDEX</u>			
<u>REMOVAL</u>					NI 10001	May 06/2022	00
					NI 10002	blank	00
	12001	May 06/2022	00		NI 10003	May 06/2022	00
	12002	blank	00		NI 10004	blank	00
<u>INSTALLATION</u>				<u>DETAILED PARTS LIST</u>			
	130001	May 06/2022	00		DPL 10001	May 06/2022	00
	130002	blank	00		DPL 10002	blank	00
<u>SERVICING</u>				<u>FIGURE 1: SUPPLEMENTARY SURVIVAL KIT-VARIANT 1</u>			
	14001	May 06/2022	00		10001 – 1	May 06/2022	00
	14002	blank	00		10001 – 2	May 06/2022	00
					10001 – 3	May 06/2022	00
					10001 – 4	blank	00



COMPONENT MAINTENANCE MANUAL  
SUPPLEMENTARY SURVIVAL KIT

<u>SUBJECT</u>	<u>PAGE</u>	<u>DATE</u>	<u>RE</u>	<u>SUBJECT</u>	<u>PAGE</u>	<u>DATE</u>	<u>RE</u>
----------------	-------------	-------------	-----------	----------------	-------------	-------------	-----------

FIGURE 1A: SUPPLEMENTARY SURVIVAL  
KIT-VARIANT 2

10001A – 1	May 06/2022	00
10001A – 2	May 06/2022	00
10001A – 3	May 06/2022	00
10001A – 4	blank	00

FIGURE 1B: SUPPLEMENTARY SURVIVAL  
KIT-VARIANT 3

10001B – 1	May 06/2022	00
10001B – 2	May 06/2022	00
10001B – 3	May 06/2022	00
10001B – 4	blank	00

FIGURE 1C: SUPPLEMENTARY SURVIVAL  
KIT-VARIANT 4

10001C – 1	May 06/2022	00
10001C – 2	May 06/2022	00
10001C – 3	May 06/2022	00
10001C – 4	blank	00

FIGURE 1D: SUPPLEMENTARY SURVIVAL  
KIT-VARIANT 5

10001D – 1	May 06/2022	00
10001D – 2	May 06/2022	00
10001D – 3	May 06/2022	00
10001D – 4	blank	00

FIGURE 1E: SUPPLEMENTARY SURVIVAL  
KIT-VARIANT 6

10001E – 1	May 06/2022	00
10001E – 2	May 06/2022	00
10001E – 3	May 06/2022	00
10001E – 4	blank	00



COMPONENT MAINTENANCE MANUAL  
SUPPLEMENTARY SURVIVAL KIT

INTENTIONALLY LEFT BLANK





COMPONENT MAINTENANCE MANUAL  
SUPPLEMENTARY SURVIVAL KIT  
TABLE OF CONTENTS

<u>INTRODUCTION .....</u>	<u>INTRO 1</u>
<u>1. GENERAL .....</u>	<u>INTRO 1</u>
<u>2. MANUFACTURING .....</u>	<u>INTRO 1</u>
<u>3. LAYOUT OF THE MANUAL .....</u>	<u>INTRO 1</u>
<u>4. REVISION SERVICE .....</u>	<u>INTRO 1</u>
<u>5. VALIDATION OF OPERATIONS DESCRIBED IN THIS MANUAL.....</u>	<u>INTRO 2</u>
<u>6. WARNINGS, CAUTIONS, NOTES.....</u>	<u>INTRO 2</u>
<u>7. IDENTIFYING REVISED MATERIAL.....</u>	<u>INTRO 2</u>
<u>8. MAINTENANCE RELEASE RECORD/RFID TAG.....</u>	<u>INTRO 2</u>
<u>9. LIST OF ABBREVIATIONS .....</u>	<u>INTRO 2</u>
<u>DESCRIPTION AND OPERATION .....</u>	<u>1</u>
<u>1. GENERAL .....</u>	<u>1</u>
<u>2. DESCRIPTION .....</u>	<u>2</u>
<u>3. OPERATION .....</u>	<u>3</u>
<u>4. LEADING PARTICULARS.....</u>	<u>4</u>
<u>TESTING AND FAULT ISOLATION .....</u>	<u>1001</u>
<u>DISASSEMBLY .....</u>	<u>3001</u>
<u>1. GENERAL INFORMATION .....</u>	<u>3001</u>
<u>2. PROCEDURE .....</u>	<u>3001</u>
<u>A. DISASSEMBLY OF THE SSK BAG VARIANT 1 .....</u>	<u>3001</u>
<u>A. DISASSEMBLY OF THE SSK BAG VARIANT 2 .....</u>	<u>3002</u>
<u>A. DISASSEMBLY OF THE SSK BAG VARIANT 3 .....</u>	<u>3003</u>
<u>A. DISASSEMBLY OF THE SSK BAG VARIANT 4 .....</u>	<u>3003</u>
<u>A. DISASSEMBLY OF THE SSK BAG VARIANT 5 .....</u>	<u>3004</u>
<u>A. DISASSEMBLY OF THE SSK BAG VARIANT 6 .....</u>	<u>3004</u>
<u>CLEANING .....</u>	<u>4001</u>
<u>1. GENERAL .....</u>	<u>4001</u>
<u>INSPECTION/CHECK .....</u>	<u>5001</u>
<u>1. GENERAL INFORMATION.....</u>	<u>5001</u>
<u>2. PROCEDURE .....</u>	<u>5001</u>
<u>A. UPDATE EXPIRATION DATE.....</u>	<u>5001</u>
<u>REPAIR .....</u>	<u>6001</u>
<u>ASSEMBLY .....</u>	<u>7001</u>
<u>1. GENERAL INFORMATION .....</u>	<u>7001</u>
<u>2. PROCEDURE .....</u>	<u>7001</u>
<u>A. ASSEMBLY OF THE SSK BAG VARIANT 1 .....</u>	<u>7001</u>
<u>A. ASSEMBLY OF THE SSK BAG VARIANT 2 .....</u>	<u>7002</u>



COMPONENT MAINTENANCE MANUAL  
SUPPLEMENTARY SURVIVAL KIT  
TABLE OF CONTENTS

<u>A. ASSEMBLY OF THE SSK BAG VARIANT 3 .....</u>	<u>7003</u>
<u>A. ASSEMBLY OF THE SSK BAG VARIANT 4 .....</u>	<u>7003</u>
<u>A. ASSEMBLY OF THE SSK BAG VARIANT 5 .....</u>	<u>7004</u>
<u>A. ASSEMBLY OF THE SSK BAG VARIANT 6 .....</u>	<u>7004</u>
<u>FITS AND CLEARANCES.....</u>	<u>8001</u>
<u>SPECIAL TOOLS, FIXTURES, EQUIPMENT AND CONSUMABLES .....</u>	<u>9001</u>
<u>1. GENERAL INFORMATION.....</u>	<u>9001</u>
<u>2. CONSUMABLE MATERIALS .....</u>	<u>9001</u>
<u>3. STANDARD TOOLS.....</u>	<u>9001</u>
<u>SPECIAL PROCEDURES .....</u>	<u>11001</u>
<u>REMOVAL .....</u>	<u>12001</u>
<u>INSTALLATION .....</u>	<u>13001</u>
<u>SERVICING .....</u>	<u>14001</u>
<u>STORAGE INCLUDING TRANSPORTATION .....</u>	<u>15001</u>
<u>1. GENERAL .....</u>	<u>15001</u>
<u>2. PROCEDURE .....</u>	<u>15001</u>
<u>REWORK .....</u>	<u>16001</u>
<u>ILLUSTRATED PARTS LIST .....</u>	<u>IPL-TP 10001</u>
<u>IPL INTRODUCTION .....</u>	<u>INTRO 10001</u>
<u>NUMERICAL INDEX .....</u>	<u>NI 10001</u>
<u>DETAILED PARTS LIST .....</u>	<u>DPL 10001</u>
<u>FIGURE 1: SUPPLEMENTARY SURVIVAL KIT VARIANT 1 .....</u>	<u>10001-1</u>
<u>FIGURE 1A: SUPPLEMENTARY SURVIVAL KIT VARIANT 2 .....</u>	<u>10001A-1</u>
<u>FIGURE 1B: SUPPLEMENTARY SURVIVAL KIT VARIANT 3 .....</u>	<u>10001B-1</u>
<u>FIGURE 1C: SUPPLEMENTARY SURVIVAL KIT VARIANT 4 .....</u>	<u>10001C-1</u>
<u>FIGURE 1D: SUPPLEMENTARY SURVIVAL KIT VARIANT 5 .....</u>	<u>10001D-1</u>
<u>FIGURE 1E: SUPPLEMENTARY SURVIVAL KIT VARIANT 6 .....</u>	<u>10001E-1</u>



COMPONENT MAINTENANCE MANUAL  
SUPPLEMENTARY SURVIVAL KIT  
LIST OF ILLUSTRATIONS

<u>TITLE</u>	<u>FIGURE</u>	<u>PAGE</u>
SUPPLEMENTARY SURVIVAL KIT	FIGURE 1	2
REMOVAL OF THE SEALS	FIGURE 3001	3005
UPDATION OF THE EXPIRATION DATE	FIGURE 6001	5003
INSTALLATION OF THE SEALS	FIGURE 7001	7005
SUPPLEMENTARY SURVIVAL KIT-VARIANT 1	FIGURE 1	10001-1
SUPPLEMENTARY SURVIVAL KIT-VARIANT 2	FIGURE 2	10001A-1
SUPPLEMENTARY SURVIVAL KIT-VARIANT 3	FIGURE 3	10001B-1
SUPPLEMENTARY SURVIVAL KIT-VARIANT 4	FIGURE 4	10001C-1
SUPPLEMENTARY SURVIVAL KIT-VARIANT 5	FIGURE 5	10001D-1
SUPPLEMENTARY SURVIVAL KIT-VARIANT 6	FIGURE 6	10001E-1



COMPONENT MAINTENANCE MANUAL  
SUPPLEMENTARY SURVIVAL KIT

INTENTIONALLY LEFT BLANK



COMPONENT MAINTENANCE MANUAL  
SUPPLEMENTARY SURVIVAL KIT

LIST OF TABLES

<u>TITLE</u>	<u>TABLE</u>	<u>PAGE</u>
LIST OF ABBREVIATIONS	TABLE 1	INTRO 3
LEADING PARTICULARS	TABLE 2	3
VISUAL CHECK: SUPPLEMENTARY SURVIVAL KIT	TABLE 5001	5001
CONSUMABLE MATERIALS	TABLE 9001	9001
STANDARD TOOLS	TABLE 9002	9001



COMPONENTS MAINTENANCE MANUAL  
SUPPLEMENTARY SURVIVAL KIT

INTENTIONALLY LEFT BLANK



COMPONENTS MAINTENANCE MANUAL  
SUPPLEMENTARY SURVIVAL KIT  
INTRODUCTION

**\*\* FOR PNs P3APP000510A P3APP000511A P3APP000512A P3APP000513A P3APP000514A  
P3APP000515A**

TASK 25-62-01-871-801-A01

Introduction

**CAUTION:** THIS MANUAL PROVIDES THE NECESSARY INFORMATION TO PERFORM THE REPAIR IN AN INTERMEDIATE LEVEL MAINTENANCE SHOP (I - LEVEL).

THE THIRD LEVEL OF MAINTENANCE (D - LEVEL) IS NOT APPLICABLE IN THIS MANUAL.

1. General

- A. This manual 25-62-01 (Internal number: - P3DOC003969) has been compiled entirely from a SGML source in accordance with the requirements set out in the specification ATA iSpec 2200. It provides data as necessary for an approved repairer to restore an unserviceable SUPPLEMENTARY SURVIVAL KIT to a serviceable condition.

2. Manufacturing

- A. The SUPPLEMENTARY SURVIVAL KIT are manufactured and product supported by:

umlaut engineering GmbH

(FSCM CE579)

Blohmstraße 12

21079 Hamburg

Germany

E-Mail: cabin-products@umlaut.com

Internet: www.umlaut.com

3. Layout of the manual

- A. This manual contains a general description and operation followed by data for testing, check and repair instructions of the SUPPLEMENTARY SURVIVAL KIT. An ILLUSTRATED PARTS LIST is also included.

4. Revision service

- A. This manual 25-62-01 (Internal number: - P3DOC003969) will be updated as required by revisions. Service Bulletins (SBs) may be issued separately. Their effect on the manual will, however, be evident by reissue of the SB as appropriate.



COMPONENTS MAINTENANCE MANUAL  
SUPPLEMENTARY SURVIVAL KIT

5. Validation of operations described in this manual
  - A. The maintenance operations described in this manual have been checked in manufacturer's workshops by an exact carrying out of dismantling, reassembly, test and repair instructions which are detailed in this document.  
These operations are those in use at the latest revision date of the document.
6. Warnings, Cautions, Notes
  - A. **WARNING:** Warnings call attention to use of materials, processes, methods, procedures or limits which must be precisely adhered to in order to prevent injury or death of persons.
  - B. **CAUTION:** Cautions call attention to use of materials, processes, methods, procedures or limits which must be precisely adhered to in order to prevent damage of equipment.
  - C. **NOTE:** Notes call attention to methods, which make the job easier.
7. Identifying Revised Material

**NOTE:** Usage of cleaning agents is restricted to Isopropyl Alcohol and mild liquid detergents.

  - A. Revisions, additions and deletions can be identified by a vertical black line along the left hand margin of the page opposite only that portion of the printed matter that has changed.
  - B. A black line in the left hand margin opposite the page number and date will indicate that the text was unchanged but the material was relocated to a different page.
  - C. For detailed parts listing an individual code letter "R" as an alternative to a vertical black line can be used on each line to identify revisions.
  - D. Each page of a complete manual change is assigned the new revision date.
8. Maintenance Release Record/RFID Tag
  - A. A maintenance release record is shipped with each kit and is located in a maintenance pocket on the outside of the container. It is recommended that the maintenance release record be kept with the kit at all times. The maintenance release record is for the recording of both scheduled and non-scheduled maintenance that has been performed. This information is important to personnel performing maintenance and/or incorporation of service bulletins.

**NOTE:** It is recommended that indelible ink be used for recording.

- B. An RFID tag is provided by the label on the top of the container. It contains a section for storing maintenance history records. When a new entry is added to the maintenance release record, it can also be added to the RFID tag through a handheld RFID writer. This maintenance history record section of the RFID tag acts as a digital supplement to the maintenance release record. Each new maintenance history record on the RFID tag has various fields such as "installed part", "repaired", "inspected" and more. Any information that is seen on the maintenance release record must match the information captured on the RFID tag. It is recommended, but not required, to remove the RFID tag from its pocket to write the maintenance history to prevent any possible writing errors.





COMPONENTS MAINTENANCE MANUAL  
SUPPLEMENTARY SURVIVAL KIT

9. List of Abbreviations

—	A dash before an item number indicates the item
AR	As Required
ASSY	Assembly
EFF	Effectivity
FIG	Figure
NO.	Number
NP	Not Procurable
RF	Reference (Indicates those parts which have their requirements listed elsewhere in the parts list)
UPA	Units Per Assembly

List of Abbreviations  
TABLE 1



COMPONENTS MAINTENANCE MANUAL  
SUPPLEMENTARY SURVIVAL KIT

INTENTIONALLY LEFT BLANK



COMPONENTS MAINTENANCE MANUAL  
SUPPLEMENTARY SURVIVAL KIT  
DESCRIPTION AND OPERATION

**\*\* FOR PNs P3APP000510A P3APP000511A P3APP000512A P3APP000513A P3APP000514A  
P3APP000515A**

TASK 25-62-01-870-801-A01

General

- A. This manual gives overhaul and maintenance instructions for the SUPPLEMENTARY SURVIVAL KIT.

TASK 25-62-01-870-803-A01

A. Description

The supplemental survival kit is stowed in the aircraft cabin separately from the door mounted evacuation slide/raft systems. These supplemental survival kits are optional for aircraft operators required to meet EU-OPS requirements. This supplemental kit, combined with the survival kit packed with each evacuation slide/raft, meets EU-OPS requirements for survival kits. Separate dual lane and single lane supplemental kits are available, depending upon the aircraft configuration. One kit, either dual lane or single lane, is required in conjunction with each door mounted system to meet EU-OPS requirements. The supplemental kits are stowed in the cabin in different locations, dependent upon the customer specified cabin configuration.

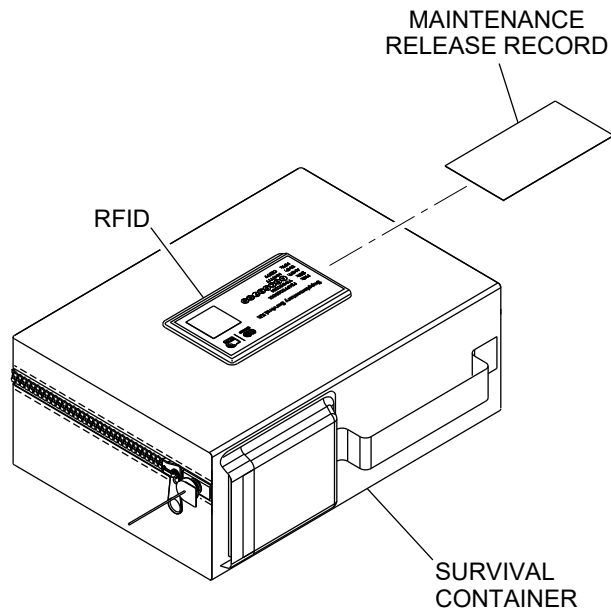
TASK 25-62-01-870-804-A01

A. Operation

The kit is housed in a container that can be secured by a lanyard attached at the forward girt end of the slide/raft on the system ("in pack") survival kit loop or lanyard in the event of a ditching. This kit should be attached after system ditching deployment. To retrieve the survival kit, the lanyard is pulled up and inboard.



COMPONENTS MAINTENANCE MANUAL  
SUPPLEMENTARY SURVIVAL KIT



25620101

Supplementary Survival Kit  
Figure 1



COMPONENTS MAINTENANCE MANUAL  
SUPPLEMENTARY SURVIVAL KIT

TASK 25-62-01-870-802-A01

Leading Particulars

PN	LEADING PARTICULARS	DESCRIPTION/VALUE
P3APP000510A	Maximum Weight	5.7 kg (12.57 lbs)
	Container Material	Polyester
P3APP000511A	Maximum Weight	4.2 kg (9.26 lbs)
	Container Material	Polyester
P3APP000512A	Maximum Weight	5.4 kg (11.90 lbs)
	Container Material	Polyester
P3APP000513A	Maximum Weight	3.4 kg (7.50 lbs)
	Container Material	Polyester
P3APP000514A	Maximum Weight	4.3 kg (9.48 lbs)
	Container Material	Polyester
P3APP000515A	Maximum Weight	3.2 kg (7.05 lbs)
	Container Material	Polyester

Leading Particulars  
TABLE 2



COMPONENTS MAINTENANCE MANUAL  
SUPPLEMENTARY SURVIVAL KIT

INTENTIONALLY LEFT BLANK



COMPONENTS MAINTENANCE MANUAL  
SUPPLEMENTARY SURVIVAL KIT  
TESTING AND FAULT ISOLATION

NOT APPLICABLE



COMPONENTS MAINTENANCE MANUAL  
SUPPLEMENTARY SURVIVAL KIT

INTENTIONALLY LEFT BLANK





COMPONENTS MAINTENANCE MANUAL  
SUPPLEMENTARY SURVIVAL KIT  
DISASSEMBLY

**\*\* FOR PNs P3APP000510A P3APP000511A P3APP000512A P3APP000513A P3APP000514A  
P3APP000515A**

TASK 25-62-01-000-001-A01

1. General Information

- A. Complete disassembly of all components covered in this section is neither necessary nor recommended. The decision to disassemble should be based on presence visible damages like discoloration or if the seal is broken. Disassemble only to the extent necessary to complete the replacement.
- B. The working area should be covered with clean carpeting or other suitable soft material and be free of all unneeded material or tools.

TASK 25-62-01-000-002-A01

1. Disassembly Procedures

**\*\* FOR PNs P3APP000510A**

Subtask 25-62-01-000-001-A01

A. Disassembly of the SSK Bag Variant 1

NOTE: Refer to figure 1 and figure 3001.

- (1) Remove the maintenance release record card 10 from the sleeve on the variant 1 SSK bag 120.
- (2) Turn the seal body to remove the seal 20 from the variant 1 SSK bag 120. The seal cable will rupture by this.
- (3) Disengage the zipper and open the variant 1 SSK bag 120.
- (4) Removal of the RFID label 30 is necessary for replacement only.
- (5) Remove the RFID label 30 from the pocket located on top of the container cover only if necessary.
- (6) Remove the telescopic paddles 40 from the variant 1 SSK bag 120.
- (7) Remove the water pack 300 ml 50 from the variant 1 SSK bag 120.
- (8) Remove the desalter pump 60 from the variant 1 SSK bag 120.
- (9) Remove the water packs 500 ml 70 from the variant 1 SSK bag 120.
- (10) Remove the toffee tablets packs 450 g 80 from the variant 1 SSK bag 120.
- (11) Remove the toffee tablets pack 350 g 90 from the variant 1 SSK bag 120.
- (12) Remove the overhaul seal 100 from the variant 1 SSK bag 120.
- (13) Remove the air ground code 110 from the variant 1 SSK bag 120.



COMPONENTS MAINTENANCE MANUAL  
SUPPLEMENTARY SURVIVAL KIT

**\*\* FOR PNs P3APP000511A**

Subtask 25-62-01-000-001-A02

A. Disassembly of the SSK Bag Variant 2.

NOTE: Refer to figure 1A and figure 3001.

- (1) Remove the maintenance release record card 10 from the sleeve on the variant 2 SSK bag 110.
- (2) Turn the seal body to remove the seal 20 from the variant 2 SSK bag 110. The seal cable will rupture by this.
- (3) Disengage the zipper and open the variant 2 SSK bag 110.
- (4) Removal of the RFID label 30 is necessary for replacement only.
- (5) Remove the RFID label 30 from pocket located on top of the container cover only if necessary.
- (6) Remove the desalination filter 40 from the variant 2 SSK bag 110.
- (7) Remove the water packs 500 ml 50 from the variant 2 SSK bag 110.
- (8) Remove the aerial flare 60 from the variant 2 SSK bag 110.
- (9) Remove the glucose tablets packs (73.6 g) 70 from the variant 2 SSK bag 110.
- (10) Remove the flat water pack 500 ml 80 from the variant 2 SSK bag 110.
- (11) Remove the overhaul seal 90 from the variant 2 SSK bag 110.
- (12) Remove the air ground code 100 from the variant 2 SSK bag 110.

**\*\* FOR PNs P3APP000512A**

Subtask 25-62-01-000-001-A03

A. Disassembly of the SSK Bag Variant 3

NOTE: Refer to figure 1B and figure 3001.

- (1) Remove the maintenance release record card 10 from the sleeve on the variant 3 SSK bag 100.
- (2) Turn the seal body to remove the seal 20 from the variant 3 SSK bag 100. The seal cable will rupture by this.
- (3) Disengage the zipper and open the variant 3 SSK bag 100.
- (4) Removal of the RFID label 30 is necessary for replacement only.
- (5) Remove the RFID label 30 from pocket located on top of the container cover only if necessary.
- (6) Remove the water packs 500 ml 40 from the variant 3 SSK bag 100.
- (7) Remove the water pack 200 ml 50 from the variant 3 SSK bag 100.
- (8) Remove the glucose tablets packs (73.6 g) 60 from the variant 3 SSK bag 100.
- (9) Remove the aerial flare 70 from the variant 3 SSK bag 100.
- (10) Remove the overhaul seal 80 from the variant 3 SSK bag 100.



COMPONENTS MAINTENANCE MANUAL  
SUPPLEMENTARY SURVIVAL KIT

- (11) Remove the air ground code 90 from the variant 3 SSK bag 100.

**\*\* FOR PNs P3APP000513A**

Subtask 25-62-01-000-001-A04

A. Disassembly of the SSK Bag Variant 4

NOTE: Refer to figure 1C and figure 3001.

- (1) Remove the maintenance release record card 10 from the sleeve on the variant 4 SSK bag 90.
- (2) Turn the seal body to remove the seal 20 from the variant 4 SSK bag 90. The seal cable will rupture by this.
- (3) Disengage the zipper and open the variant 4 SSK bag 90.
- (4) Removal of the RFID label is necessary for replacement only.
- (5) Remove the RFID label 30 from pocket located on top of the container cover only if necessary.
- (6) Remove the desalination filters 40 from the variant 4 SSK bag 90.
- (7) Remove the glucose tablets packs (73.6 g) 50 from the variant 4 SSK bag 90.
- (8) Remove the water packs 500 ml 60 from the variant 4 SSK bag 90.
- (9) Remove the overhaul seal 70 from the variant 4 SSK bag 90.
- (10) Remove the air ground code 80 from the variant 4 SSK bag 90.

**\*\* FOR PNs P3APP000514A**

Subtask 25-62-01-000-001-A05

A. Disassembly of the SSK Bag Variant 5

NOTE: Refer to figure 1D and figure 3001.

- (1) Remove the maintenance release record card 10 from the sleeve on the variant 5 SSK bag 100.
- (2) Turn the seal body to remove the seal 20 from the variant 5 SSK bag 100. The seal cable will rupture by this.
- (3) Disengage the zipper and open the variant 5 SSK bag 100.
- (4) Removal of the RFID label 30 is necessary for replacement only.
- (5) Remove the RFID label 30 from pocket located on top of the container cover only if necessary.
- (6) Remove the desalination filter 40 from the variant 5 SSK bag 100.
- (7) Remove the glucose tablets packs (73.6 g) 50 from the variant 5 SSK bag 100.
- (8) Remove the water packs 500 ml 60 from the variant 5 SSK bag 100.
- (9) Remove the aerial flare 70 from the variant 5 SSK bag 100.
- (10) Remove the air ground code 80 from the variant 5 SSK bag 100.



COMPONENTS MAINTENANCE MANUAL  
SUPPLEMENTARY SURVIVAL KIT

- (11) Remove the overhaul seal 90 from the variant 5 SSK bag 100.

**\*\* FOR PNs P3APP000515A**  
Subtask 25-62-01-000-001-A06

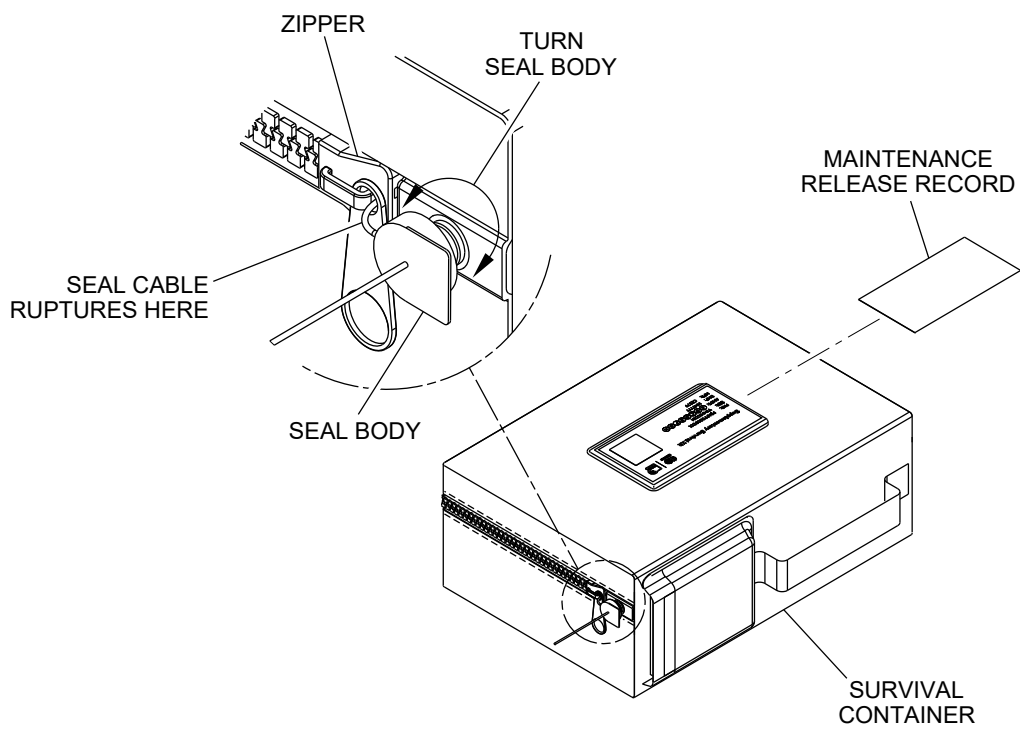
A. Disassembly of the SSK Bag Variant 6

NOTE: Refer to figure 1E and figure 3001.

- (1) Remove the maintenance release record card 10 from the sleeve on the variant 6 SSK bag 100.
- (2) Turn the seal body to remove the seal 20 from the variant 6 SSK bag 100. The seal cable will rupture by this.
- (3) Disengage the zipper and open the variant 6 SSK bag 100.
- (4) Remove the RFID label 30 is necessary for replacement only.
- (5) Remove the RFID label 30 from the pocket located on top of the container cover only if necessary.
- (6) Remove the desalination filter 40 from the variant 6 SSK bag 100.
- (7) Remove the water packs 500 ml 50 from the variant 6 SSK bag 100.
- (8) Remove the glucose tablets packs (73.6 g) 60 from the variant 6 SSK bag 100.
- (9) Remove the aerial flare 70 from the variant 6 SSK bag 100.
- (10) Remove the air ground code 80 from the variant 6 SSK bag 100.
- (11) Remove the overhaul seal 90 from the variant 6 SSK bag 100.



COMPONENTS MAINTENANCE MANUAL  
SUPPLEMENTARY SURVIVAL KIT



2562013001

Removal of the Seals  
Figure 3001



COMPONENTS MAINTENANCE MANUAL  
SUPPLEMENTARY SURVIVAL KIT

INTENTIONALLY LEFT BLANK



COMPONENTS MAINTENANCE MANUAL  
SUPPLEMENTARY SURVIVAL KIT  
CLEANING

**\*\* FOR PNs P3APP000510A P3APP000511A P3APP000512A P3APP000513A P3APP000514A  
P3APP000515A**

TASK 25-62-01-100-801-A01

Cleaning

1. General

To remove dust from the supplementary survival kit, a cotton wiper (damp if necessary) is sufficient. Clean the remaining cleaning agent from the supplementary survival kit.

NOTE: Usage of cleaning agents is restricted to Isopropyl Alcohol and mild liquid detergents.



COMPONENTS MAINTENANCE MANUAL  
SUPPLEMENTARY SURVIVAL KIT

INTENTIONALLY LEFT BLANK





COMPONENTS MAINTENANCE MANUAL  
SUPPLEMENTARY SURVIVAL KIT  
INSPECTION/CHECK

**\*\* FOR PNs P3APP000510A P3APP000511A P3APP000512A P3APP000513A P3APP000514A  
P3APP000515A**

TASK 25-62-01-200-001-A01

General Information

**NOTE:** Refer to TABLE 5001 for visual checking of the supplementary survival kit and related components

**NOTE:** When the disposition is replace, refer to the DISASSEMBLY section for the disassembly of the component and to the ASSEMBLY section for the assembly of the component.

- A. The work area must be covered with a clean tarpaulin, carpeting or other protective material and must be clean and well lighted.
- B. The check can be made without the aid of special optical devices, unless differently indicated herein.
- C. When expiry date of the components is reached. All life limited components or complete SSK have to be exchanged.

TASK 25-62-01-200-002-A01

Procedure

A. Visual Check: Supplementary Survival Kit

COMPONENT	CONDITION	DISPOSITION
Survival Kit Container	Tears, punctures or open seams.	Replace
Desalination Pump/ Desalination Bag	Check last test date. Make sure life is not expired to meet or exceed next scheduled maintenance (Perform testing and maintenance as necessary).	Refer to TESTING AND FAULT ISOLATION section
Red Parachute Flare	Check expiration date. Make sure life is not expired to meet or exceed next scheduled maintenance of system before reinstalling. Punctures or damage which would impair function.	Replace
Water Packs	Check expiration date. Make sure life is not expired to meet or exceed next scheduled maintenance of system before reinstalling damaged container	Replace
Ground to Air Signal Card	Check expiration date. Make sure life is not expired to meet or exceed next scheduled maintenance of system before reinstalling damaged container	Replace

Visual Check: Supplementary Survival Kit  
TABLE 5001



COMPONENTS MAINTENANCE MANUAL  
SUPPLEMENTARY SURVIVAL KIT

COMPONENT	CONDITION	DISPOSITION
Glucose Tablets/Glucose Toffee Tablets	Check expiration date of glucose tablets. Make sure life is not expired to meet or exceed next scheduled maintenance of system before re-installing. Torn wrapping.	Replace
RFID tag	Tag cannot be read (display information) or written to (enter information).	Verify defective tag by checking another tag for performance. Contact provider of reader hardware and software for disposition, or replace tag.

Visual Check: Supplementary Survival Kit  
TABLE 5001

Subtask 25-62-01-200-003-A01

A. Updation of the Expiration Date

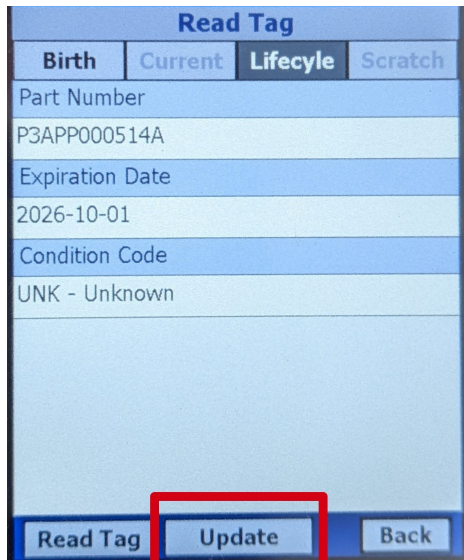
NOTE: Refer to figure 5001.

NOTE: The following RFID Reader/Writer screens and instructions are taken from an arbitrary RFID Reader/Writer and are included as an example of one method and interface to add maintenance history and scratch pad data. Actual RFID Reader/Writer screen for this operation may differ from the instructions shown.

- (1) Read a tag and select the "Update" tab at the bottom of the screen.
- (2) Click on the modify symbol for the "Expiration Date".
- (3) Select the new expiration date and click on "Write Tag".
- (4) Make sure that the "Life Cycle Record updated" is shown on the screen.

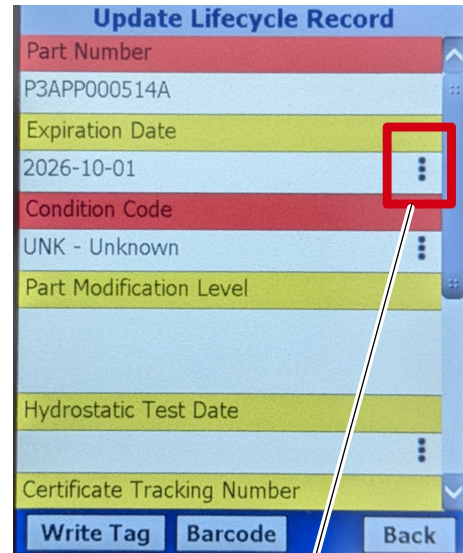
COMPONENTS MAINTENANCE MANUAL  
SUPPLEMENTARY SURVIVAL KIT

STEP-1



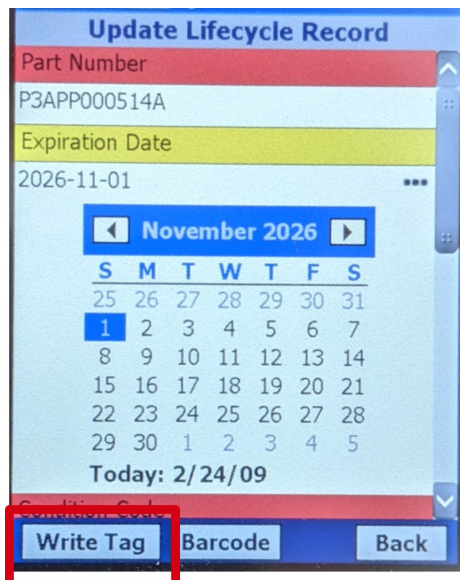
SELECT THE "UPDATE" TAB

STEP-2



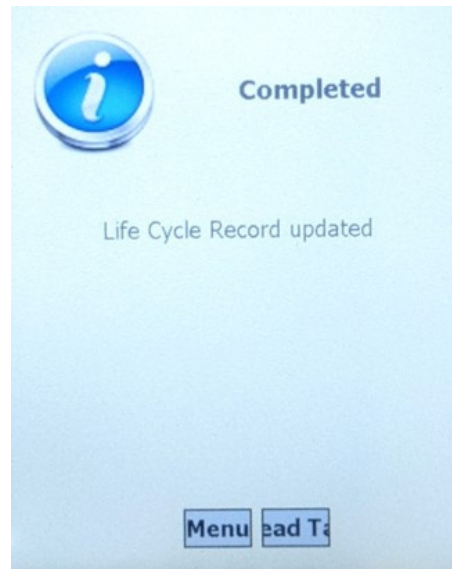
CLICK THE MODIFY SYMBOL

STEP-3



CLICK THE "WRITE TAG" TAB

STEP-4



2562015001

Updation of the Expiration Date  
Figure 5001



COMPONENTS MAINTENANCE MANUAL  
SUPPLEMENTARY SURVIVAL KIT

INTENTIONALLY LEFT BLANK



COMPONENTS MAINTENANCE MANUAL  
SUPPLEMENTARY SURVIVAL KIT  
REPAIR

**\*\* FOR PNs P3APP000510A P3APP000511A P3APP000512A P3APP000513A P3APP000514A  
P3APP000515A**

NOT APPLICABLE



COMPONENTS MAINTENANCE MANUAL  
SUPPLEMENTARY SURVIVAL KIT

INTENTIONALLY LEFT BLANK



COMPONENTS MAINTENANCE MANUAL  
SUPPLEMENTARY SURVIVAL KIT  
ASSEMBLY

**\*\* FOR PNs P3APP000510A P3APP000511A P3APP000512A P3APP000513A P3APP000514A  
P3APP000515A**

TASK 25-62-01-400-001-A01

1. Assembly Procedures

**\*\* FOR PNs P3APP000510A**

Subtask 25-62-01-400-001-A01

A. Assembly of the SSK Bag Variant 1

NOTE: Refer to figure 1 and figure 7001.

- (1) Install the air ground code 110 from the variant 1 SSK bag 120.
- (2) Install the overhaul seal 100 from the variant 1 SSK bag 120.
- (3) Install the toffee tablets pack 350 g 90 from the variant 1 SSK bag 120.
- (4) Install the toffee tablets packs 450 g 80 from the variant 1 SSK bag 120.
- (5) Install the water packs 500 ml 70 from the variant 1 SSK bag 120.
- (6) Install the desalter pump 60 from the variant 1 SSK bag 120.
- (7) Install the water pack 300 ml 50 from the variant 1 SSK bag 120.
- (8) Install the telescopic paddles 40 from the variant 1 SSK bag 120.
- (9) Install the RFID label 30 from the pocket located on top of the container cover only if necessary.
- (10) Installation of the RFID label 30 is necessary for replacement only.
- (11) Engage the zipper and open the variant 1 SSK bag 120.
- (12) Turn the seal body to install the seal 20 from the variant 1 SSK bag 120.
- (13) Install the maintenance release record card 10 from the sleeve on the variant 1 SSK bag 120.

**\*\* FOR PNs P3APP000511A**

Subtask 25-62-01-400-001-A02

A. Assembly of the SSK Bag Variant 2

NOTE: Refer to figure 1A and figure 7001.

- (1) Install the air ground code 100 from the variant 2 SSK bag 110
- (2) Install the overhaul seal 90 from the variant 2 SSK bag 110.
- (3) Install the flat water pack 500 ml 80 from the variant 2 SSK bag 110.
- (4) Install the glucose tablets packs (73.6 g) 70 from the variant 2 SSK bag 110.



COMPONENTS MAINTENANCE MANUAL  
SUPPLEMENTARY SURVIVAL KIT

- (5) Install the aerial flare 60 from the variant 2 SSK bag 110.
- (6) Install the water packs 500 ml 50 from the variant 2 SSK bag 110.
- (7) Install the desalination filter 40 from the variant 2 SSK bag 110.
- (8) Install RFID label 30 from pocket located on top of the container cover only if necessary.
- (9) Installation of the RFID label 30 is necessary for replacement only.
- (10) Engage the zipper and open the variant 2 SSK bag 110.
- (11) Turn the seal body to install the seal 20 from the variant 2 SSK bag 110.
- (12) Install the maintenance release record card 10 from the sleeve on the variant 2 SSK bag 110.

**\*\* FOR PNs P3APP000512A**

Subtask 25-62-01-400-001-A03

A. Assembly of the SSK Bag Variant 3

NOTE: Refer to figure 1B and figure 7001.

- (1) Install the air ground code 90 from the variant 3 SSK bag 100.
- (2) Install the overhaul seal 80 from the variant 3 SSK bag 100.
- (3) Install the aerial flare 70 from the variant 3 SSK bag 100.
- (4) Install the glucose tablets packs (73.6 g) 60 from the variant 3 SSK bag 100.
- (5) Install the water pack 200 ml 50 from the variant 3 SSK bag 100.
- (6) Install the water packs 500 ml 40 from the variant 3 SSK bag 100.
- (7) Install the RFID label 30 from pocket located on top of the container cover only if necessary.
- (8) Installation of the RFID label 30 is necessary for replacement only.
- (9) Engage the zipper and open the variant 3 SSK bag 100.
- (10) Turn the seal body to install the seal 20 from the variant 3 SSK bag 100.
- (11) Install the maintenance release record card 10 from the sleeve on the variant 3 SSK bag 100.

**\*\* FOR PNs P3APP000513A**

Subtask 25-62-01-400-001-A04

A. Assembly of the SSK Bag Variant 4

NOTE: Refer to figure 1C and figure 7001.

- (1) Install the air ground code 80 from the variant 4 SSK bag 90.
- (2) Install the overhaul seal 70 from the variant 4 SSK bag 90.
- (3) Install the water packs 500 ml 60 from the variant 4 SSK bag 90.





COMPONENTS MAINTENANCE MANUAL  
SUPPLEMENTARY SURVIVAL KIT

- (4) Install the glucose tablets packs (73.6 g) 50 from the variant 4 SSK bag 90.
- (5) Install the desalination filters 40 from the variant 4 SSK bag 90.
- (6) Install the RFID label 30 from pocket located on top of the container cover only if necessary.
- (7) Installation of the RFID label is necessary for replacement only.
- (8) Engage the zipper and open the variant 4 SSK bag 90.
- (9) Turn the seal body to install the seal 20 from the variant 4 SSK bag 90.
- (10) Install the maintenance release record card 10 from the sleeve on the variant 4 SSK bag 90.

**\*\* FOR PNs P3APP000514A**

Subtask 25-62-01-400-001-A05

A. Assembly of the SSK Bag Variant 5

NOTE: Refer to figure 1D and figure 7001.

- (1) Install the overhaul seal 90 from the variant 5 SSK bag 100.
- (2) Install the air ground code 80 from the variant 5 SSK bag 100.
- (3) Install the aerial flare 70 from the variant 5 SSK bag 100.
- (4) Install the water packs 500 ml 60 from the variant 5 SSK bag 100.
- (5) Install the glucose tablets packs (73.6 g) 50 from the variant 5 SSK bag 100.
- (6) Install the desalination filter 40 from the variant 5 SSK bag 100.
- (7) Install the RFID label 30 from pocket located on top of the container cover only if necessary.
- (8) Installation of the RFID label 30 is necessary for replacement only.
- (9) Engage the zipper and open the variant 5 SSK bag 100.
- (10) Turn the seal body to install the seal 20 from the variant 5 SSK bag 100.
- (11) Install the maintenance release record card 10 from the sleeve on the variant 5 SSK bag 100

**\*\* FOR PNs P3APP000515A**

Subtask 25-62-01-400-001-A06

A. Assembly of the SSK Bag Variant 6

NOTE: Refer to figure 1E and figure 7001.

- (1) Install the overhaul seal 90 from the variant 6 SSK bag 100.
- (2) Install the air ground code 80 from the variant 6 SSK bag 100.
- (3) Install the aerial flare 70 from the variant 6 SSK bag 100.
- (4) Install the glucose tablets packs (73.6 g) 60 from the variant 6 SSK bag 100.

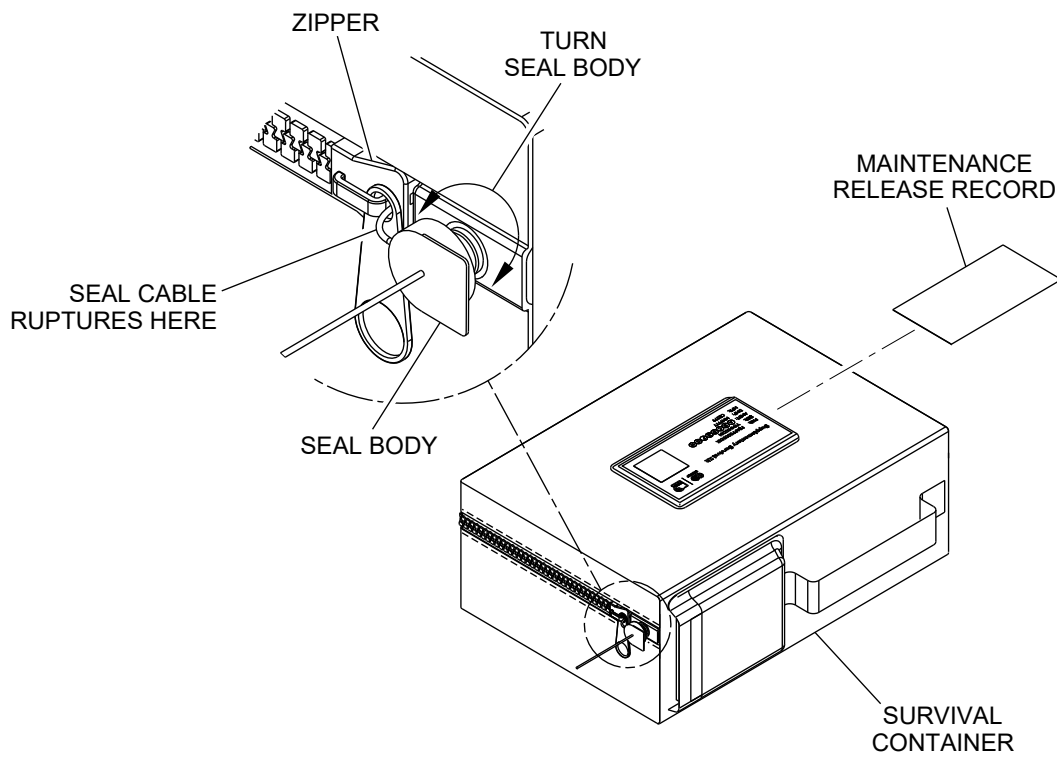


COMPONENTS MAINTENANCE MANUAL  
SUPPLEMENTARY SURVIVAL KIT

- (5) Install the water packs 500 ml 50 from the variant 6 SSK bag 100.
- (6) Install the desalination filter 40 from the variant 6 SSK bag 100.
- (7) Install the RFID label 30 from the pocket located on top of the container cover only if necessary.
- (8) Install the RFID label 30 is necessary for replacement only.
- (9) Engage the zipper and open the variant 6 SSK bag 100.
- (10) Turn the seal body to install the seal 20 from the variant 6 SSK bag 100.
- (11) Install the maintenance release record card 10 from the sleeve on the variant 6 SSK bag 100.



COMPONENTS MAINTENANCE MANUAL  
SUPPLEMENTARY SURVIVAL KIT



2562017001

Installation of the Seals  
Figure 7001



COMPONENTS MAINTENANCE MANUAL  
SUPPLEMENTARY SURVIVAL KIT

INTENTIONALLY LEFT BLANK



COMPONENTS MAINTENANCE MANUAL  
SUPPLEMENTARY SURVIVAL KIT  
FITS AND CLEARANCES

**\*\* FOR PNs P3APP000510A P3APP000511A P3APP000512A P3APP000513A P3APP000514A  
P3APP000515A**

NOT APPLICABLE



COMPONENTS MAINTENANCE MANUAL  
SUPPLEMENTARY SURVIVAL KIT

INTENTIONALLY LEFT BLANK



COMPONENTS MAINTENANCE MANUAL  
SUPPLEMENTARY SURVIVAL KIT  
SPECIAL TOOLS, FIXTURES, EQUIPMENT AND CONSUMABLES

**\*\* FOR PNs P3APP000510A P3APP000511A P3APP000512A P3APP000513A P3APP000514A P3APP000515A**

TASK 25-62-01-940-001-A01

General Information

- A. The tools, fixtures, equipment and materials listed in Table 9002 are recommended for use during Testing, Disassembly, Cleaning, Repair and Assembly.

TASK 25-62-01-940-002-A01

Consumable Materials

NOTE: Equivalent substitutes may be used.

ITEM/DESCRIPTION	QUANTITY	SOURCE	USE(SECTION)
Cleaning Solution, Moderate Duty: Clear Ivory Hand Washing Dish Liquid Detergent 29.6 milliliters (one ounce) of detergent mixed to every 1.9 liters (64 ounces) of water	As Required	Commercially Available	Moderate cleaning of fabric surfaces (Cleaning)
Cabin Cleaner	As Required	Commercially Available	Heavy duty cleaning of fabric surfaces (Cleaning)

CONSUMABLE MATERIALS  
TABLE 9001

TASK 25-62-01-940-003-A01

Standard Tools

NOTE: Equivalent substitutes may be used.

ITEM/DESCRIPTION	QUANTITY	SOURCE	USE(SECTION)
Soft Bristle Brush	As Required	Commercially Available	Application of solutions/solvents (Cleaning)
Cloth, Clean, Lint-Free	As Required	Commercially Available	Application of solutions/solvents (Cleaning)

STANDARD TOOLS  
TABLE 9002

**25-62-01**

Rev. No. 00  
Rev. Date May 06/2022  
Page 9001



COMPONENTS MAINTENANCE MANUAL  
SUPPLEMENTARY SURVIVAL KIT

INTENTIONALLY LEFT BLANK





COMPONENTS MAINTENANCE MANUAL  
SUPPLEMENTARY SURVIVAL KIT  
SPECIAL PROCEDURES

**\*\* FOR PNs P3APP000510A P3APP000511A P3APP000512A P3APP000513A P3APP000514A  
P3APP000515A**

NOT APPLICABLE



COMPONENTS MAINTENANCE MANUAL  
SUPPLEMENTARY SURVIVAL KIT

INTENTIONALLY LEFT BLANK



COMPONENTS MAINTENANCE MANUAL  
SUPPLEMENTARY SURVIVAL KIT  
REMOVAL

**\*\* FOR PNs P3APP000510A P3APP000511A P3APP000512A P3APP000513A P3APP000514A  
P3APP000515A**

NOT APPLICABLE



COMPONENTS MAINTENANCE MANUAL  
SUPPLEMENTARY SURVIVAL KIT

INTENTIONALLY LEFT BLANK



COMPONENTS MAINTENANCE MANUAL  
SUPPLEMENTARY SURVIVAL KIT  
INSTALLATION

**\*\* FOR PNs P3APP000510A P3APP000511A P3APP000512A P3APP000513A P3APP000514A  
P3APP000515A**

NOT APPLICABLE



COMPONENTS MAINTENANCE MANUAL  
SUPPLEMENTARY SURVIVAL KIT

INTENTIONALLY LEFT BLANK



COMPONENTS MAINTENANCE MANUAL  
SUPPLEMENTARY SURVIVAL KIT  
SERVICING

**\*\* FOR PNs P3APP000510A P3APP000511A P3APP000512A P3APP000513A P3APP000514A  
P3APP000515A**

NOT APPLICABLE

**25-62-01**

Rev. No. 00  
Rev. Date May 06/2022  
Page 14001



COMPONENTS MAINTENANCE MANUAL  
SUPPLEMENTARY SURVIVAL KIT

INTENTIONALLY LEFT BLANK





COMPONENTS MAINTENANCE MANUAL  
SUPPLEMENTARY SURVIVAL KIT  
STORAGE INCLUDING TRANSPORTATION

**\*\* FOR PNs P3APP000510A P3APP000511A P3APP000512A P3APP000513A P3APP000514A  
P3APP000515A**

TASK 25-62-01-550-801-A01

Storage Data

1. General
  - A. Self-explanatory
2. Procedure

Subtask 25-62-01-550-001-A01

- A. Storage of Supplementary Survival Kit
  - (1) Kit should be kept preferably in dry atmosphere.
  - (2) Permanent storage temperature is -5°C to 35°C (23°F to 95°F).

Subtask 25-62-01-550-002-A01

- A. Shipment of Supplementary Survival Kit
  - (1) For shipment, put the kit in a shipping container in accordance with the best commercial shipping practices. Monitor all Department of Transportation (DOT, U. S. A.) recommendations for shipment.



COMPONENTS MAINTENANCE MANUAL  
SUPPLEMENTARY SURVIVAL KIT

INTENTIONALLY LEFT BLANK



COMPONENTS MAINTENANCE MANUAL  
SUPPLEMENTARY SURVIVAL KIT  
REWORK

NOT APPLICABLE

**25-62-01**

Rev. No. 00  
Rev. Date May 06/2022  
Page 16001



COMPONENTS MAINTENANCE MANUAL  
SUPPLEMENTARY SURVIVAL KIT

INTENTIONALLY LEFT BLANK



COMPONENTS MAINTENANCE MANUAL  
SUPPLEMENTARY SURVIVAL KIT

**ILLUSTRATED PARTS LIST**

**25-62-01**

Rev. No. 00  
Rev. Date May 06/2022  
Page IPL-TP-10001



COMPONENTS MAINTENANCE MANUAL  
SUPPLEMENTARY SURVIVAL KIT

INTENTIONALLY LEFT BLANK



COMPONENTS MAINTENANCE MANUAL  
SUPPLEMENTARY SURVIVAL KIT

IPL INTRODUCTION

1. General Information

- A. This ILLUSTRATED PARTS LIST (IPL) contains the complete listing of all replaceable major assemblies of the SUPPLEMENTARY SURVIVAL KIT

2. Organization

- A. The IPL is divided into the following sections:

(1) Introduction

The introduction contains all explanatory information for the individual sections as is necessary for using the IPL. The introduction further contains a list of manufacturer codes together with manufacturer names and addresses.

(2) Numerical Index

This section contains a listing of part numbers of all items listed in the detailed parts list in alphanumerical sequence with cross-reference to respective Fig./Item Nos. as well as units per assy.

The order of precedence in beginning the part number arrangement at the outmost left-hand (first) position is as follows:

- letters A through Z (except 'O' to be considered as zero)
- numerals 0 to 9.

For subsequent rows, the order is:

- letters A through Z (except 'O' to be considered as zero)
- numerals 0 to 9.

(3) Detailed Parts List

(a) Column "FIG. / ITEM"

The first number in the first line of a page indicates the number of the figure illustrating the part. The second number indicates the item number by which the part is identified on the illustration. A dash placed before the item number indicates that the part is not illustrated.

(b) Column "PART NUMBER"

The part number column contains the original manufacturers' part numbers. When standard part numbers are used, the standard part number is listed in this column.

(c) Column "AIRLINE STOCK NO."

This column is left blank for airline internal use.

(d) Column "NOMENCLATURE"

- Indenture System



COMPONENTS MAINTENANCE MANUAL  
SUPPLEMENTARY SURVIVAL KIT

The indenture system used in the Detailed Parts List shows the relationship of parts and assemblies to next higher assemblies as follows:

1234567

Assembly

Attaching Parts for Assembly

\* \* \*

. Detail Parts for Assembly

. . Subassembly

. . Attaching Parts for Subassembly

\* \* \*

. . . Detail Parts for Subassembly

. . . . Sub-Subassembly

. . . . Attaching Parts for Sub-Subassembly

\* \* \*

. . . . . Detail Parts for Sub-Subassembly

– Attaching parts

The attaching parts are shown directly after the assembly or the part thereof. They are listed under the same indenture number as the item they attach, and are preceded by the words 'ATTACHING PARTS' and are followed by three asterisks.

– Vendor Codes

Parts manufactured by companies other than umlaut engineering GmbH are identified by an appropriate vendor code following the nomenclature.

Vendor codes are in accordance with current issues of U.S. Federal Supply Codes for Manufacturer Handbooks H4-1, H4-2 and H4-3 and/or in accordance with applicable European regulations and are preceded by the letter 'V'. Standard parts such as AN, DIN, MS etc. are not identified by a vendor code. When there is no known vendor code, the abbreviated name of the vendor is listed in lieu of the vendor code.

(e) Column "EFF CODE"

Alpha variants A-Z (except I and O) may be assigned to an existing item number in the FIG-ITEM column to show configuration differences, optional parts, etc. Alpha variant items are not shown on the illustration when the appearance and location of the alpha variant are the same as the basic item. In the EFF CODE column, part





COMPONENTS MAINTENANCE MANUAL  
SUPPLEMENTARY SURVIVAL KIT

applicability is indicated with respect to the top assemblies. A part shown with an effectivity code is only used in the top assembly variant which has the same effectivity code. The absence of a code indicates that the part is common to all variants of the top assembly.

(f) Column "UNITS PER ASSY"

This column contains the quantity of a specific catalog sequence numbered part required in the build sequence of only one (where more than one exists), next higher sub-sub-assembly, sub-assembly, assembly, or installation level as applicable. For bulk items, the letters 'AR' are inserted in the quantity column to indicate 'As Required'. Whenever items are listed for reference purposes, 'RF' is inserted.

3. How to use the IPL

A. If the part number is known

- (1) Find the part number in the numerical index and note figure and item number.
- (2) Turn to figure.
- (3) Locate the part on the illustration and in the parts list by item number.

B. If the part number is unknown

- (1) Please refer to Figure 1 and look for the figure item number of the part.
- (2) Note the figure item number.
- (3) Turn to the figure item list and find the corresponding part number.

C. Umlaut engineering GmbH Part Numbering System

- (1) Each part, assembly and installation is assigned a "Part" number consisting of the basic engineering drawing number. Supplementary numbers appended to the engineering drawing number identify parts, assemblies or installations which are detailed.



COMPONENTS MAINTENANCE MANUAL  
SUPPLEMENTARY SURVIVAL KIT

INTENTIONALLY LEFT BLANK



COMPONENTS MAINTENANCE MANUAL  
 SUPPLEMENTARY SURVIVAL KIT  
NUMERICAL INDEX

PART NUMBER	AIRLINE STOCK NUMBER	FIG.	ITEM	TTL REQ
32945		1	20	1
32945		1A	20	1
32945		1B	20	1
32945		1C	20	1
32945		1D	20	1
32945		1E	20	1
32946		1	100	1
32946		1A	90	1
32946		1B	80	1
32946		1C	80	1
32946		1D	90	1
32946		1E	90	1
8020448		1	60	1
P3APP000517B		1A	110	1
P3APP000519C		1D	60	3
P3APP000522A		1B	70	1
P3PRT000874A		1B	10	1
P3APP000510A		1	- 001A	RF
P3APP000511A		1A	- 001A	RF
P3APP000512A		1B	- 001A	RF
P3APP000513A		1C	- 001A	RF



COMPONENTS MAINTENANCE MANUAL  
SUPPLEMENTARY SURVIVAL KIT

PART NUMBER	AIRLINE STOCK NUMBER	FIG.	ITEM	TTL REQ
P3APP000514A		1D	- 001A	RF
P3APP000515A		1E	- 001A	RF
P3APP000517A		1	120	1
P3APP000517C		1B	100	1
P3APP000517D		1C	90	1
P3APP000517E		1D	100	1
P3APP000517F		1E	100	1
P3APP000518A		1	80	3
P3APP000518B		1	90	1
P3APP000518C		1B	60	24
P3APP000518C		1C	50	22
P3APP000518C		1D	50	24
P3APP000518C		1E	60	11
P3APP000518C		1A	70	22
P3APP000519B		1	50	1
P3APP000519C		1	70	2
P3APP000519C		1A	50	2
P3APP000519C		1B	40	6
P3APP000519C		1C	60	2
P3APP000519C		1E	50	3
P3APP000519D		1A	80	1
P3APP000519E		1B	50	1



COMPONENTS MAINTENANCE MANUAL  
SUPPLEMENTARY SURVIVAL KIT

PART NUMBER	AIRLINE STOCK NUMBER	FIG.	ITEM	TTL REQ
P3APP000521A		1	40	2
P3APP000522A		1A	60	1
P3APP000522A		1D	70	1
P3APP000522A		1E	70	1
P3APP000523A		1A	40	1
P3APP000523A		1C	40	1
P3APP000523A		1D	40	1
P3APP000523A		1E	40	1
P3PRT000475D		1	30	1
P3PRT000475D		1A	30	1
P3PRT000475D		1B	30	1
P3PRT000475D		1C	30	1
P3PRT000475D		1D	30	1
P3PRT000475D		1E	30	1
P3PRT000859A		1	110	1
P3PRT000859A		1A	100	1
P3PRT000859A		1C	70	1
P3PRT000859A		1D	80	1
P3PRT000859A		1E	80	1
P3PRT000859A		1B	90	1
P3PRT000874A		1A	10	1
P3PRT000874A		1D	10	1



COMPONENTS MAINTENANCE MANUAL  
SUPPLEMENTARY SURVIVAL KIT

PART NUMBER	AIRLINE STOCK NUMBER	FIG.	ITEM	TTL REQ
P3PRT000874A		1	10	1
P3PRT000874A		1	10	1
P3PRT000874A		1C	10	1



COMPONENTS MAINTENANCE MANUAL  
SUPPLEMENTARY SURVIVAL KIT

DETAILED PARTS LIST

**25-62-01**

Rev. No. 00  
Rev. Date May 06/2022  
Page DPL 10001



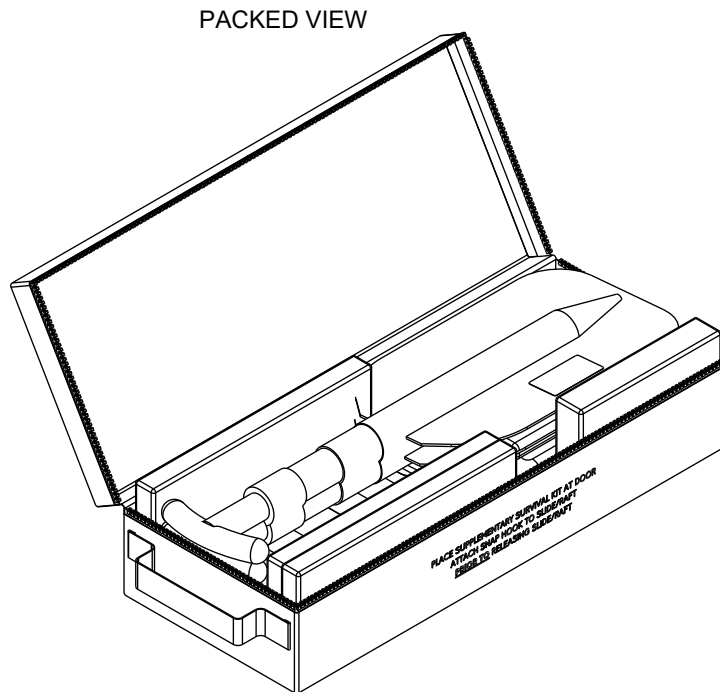
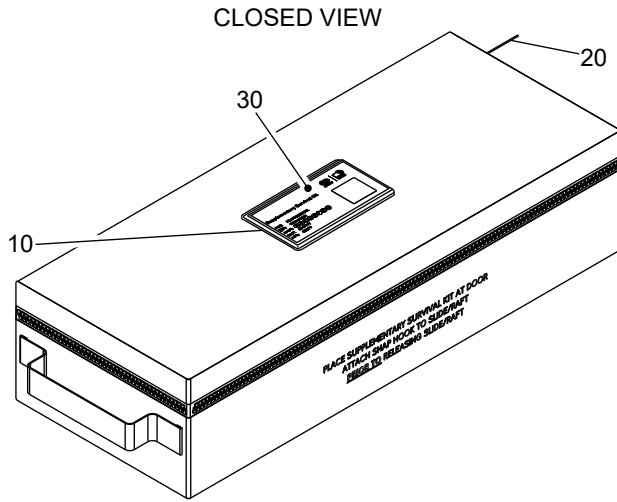
COMPONENTS MAINTENANCE MANUAL  
SUPPLEMENTARY SURVIVAL KIT

INTENTIONALLY LEFT BLANK





COMPONENTS MAINTENANCE MANUAL  
SUPPLEMENTARY SURVIVAL KIT

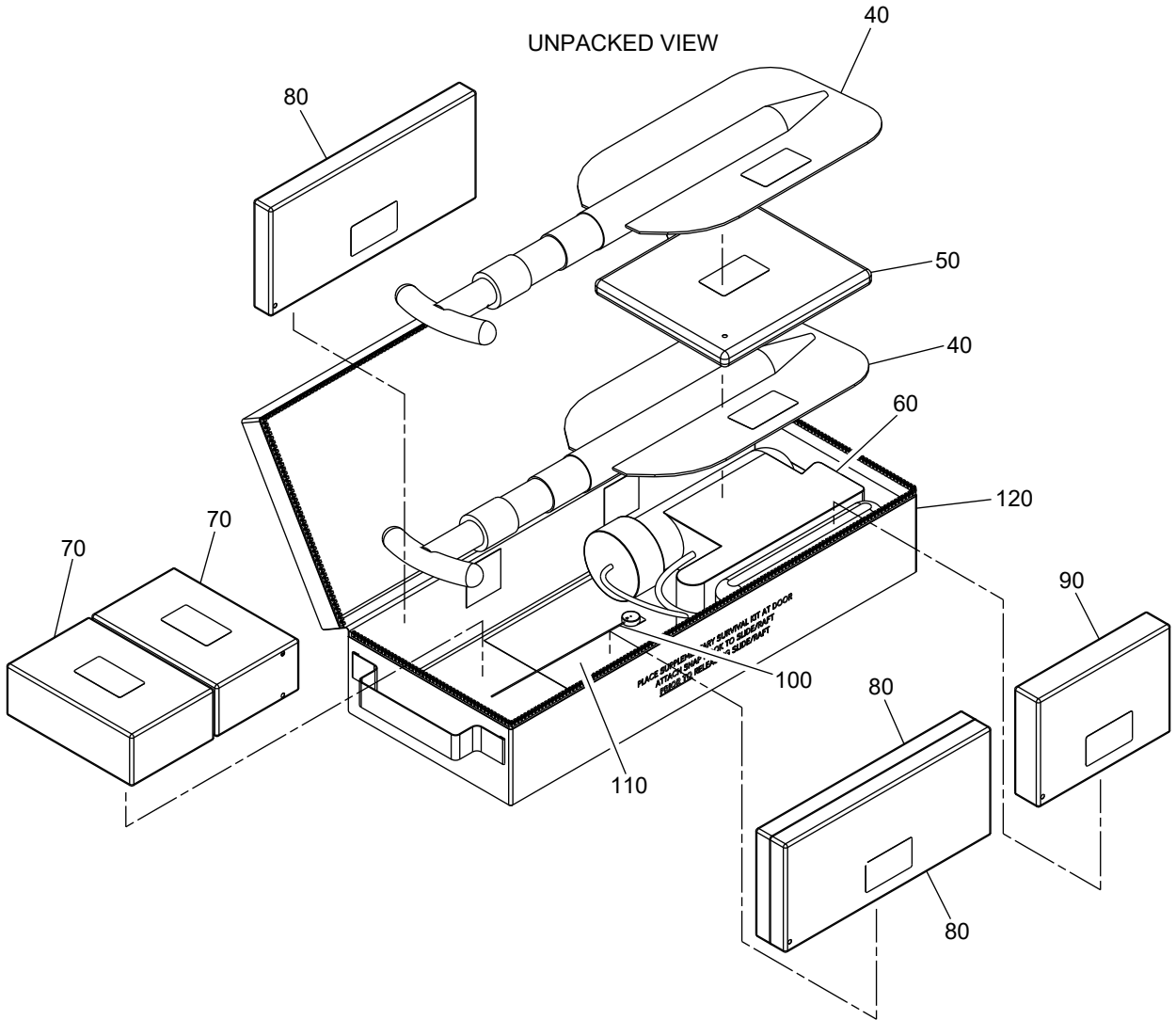


2562010101

SUPPLEMENTARY SURVIVAL KIT-VARIANT 1  
FIGURE 1



COMPONENTS MAINTENANCE MANUAL  
SUPPLEMENTARY SURVIVAL KIT



2562010102

SUPPLEMENTARY SURVIVAL KIT-VARIANT 1  
FIGURE 1

**25-62-01**

Rev. No. 00  
Rev. Date May 06/2022  
Page 10001-2



COMPONENTS MAINTENANCE MANUAL  
SUPPLEMENTARY SURVIVAL KIT

FIG. ITEM	PART NUMBER	AIRL. STOC- K NO.	NOMENCLATURE 1234567	EFF CODE	UPA
1					
- 001A	P3APP000510A		SUPPLEMENTARY SURVIVAL KIT-VARIANT 1		RF
10	P3PRT000874A		.MAINTENANCE RELEASE RECORD CARD		1
20	32945		.SEAL		1
30	P3PRT000475D		.RFID LABEL		1
40	P3APP000521A		.TELESCOPIC PADDLE		2
50	P3APP000519B		.WATER PACK 300 ML		1
60	8020448		.DESALTER PUMP		1
70	P3APP000519C		.WATER PACK 500 ML		2
80	P3APP000518A		.TOFFEE TABLETS PACK 450 g		3
90	P3APP000518B		.TOFFEE TABLETS PACK 350 g		1
100	32946		.OVERHAUL SEAL		1
110	P3PRT000859A		.AIR GROUND CODE		1
120	P3APP000517A		.SSK BAG - VARIANT 1		1

- ITEM NOT ILLUSTRATED

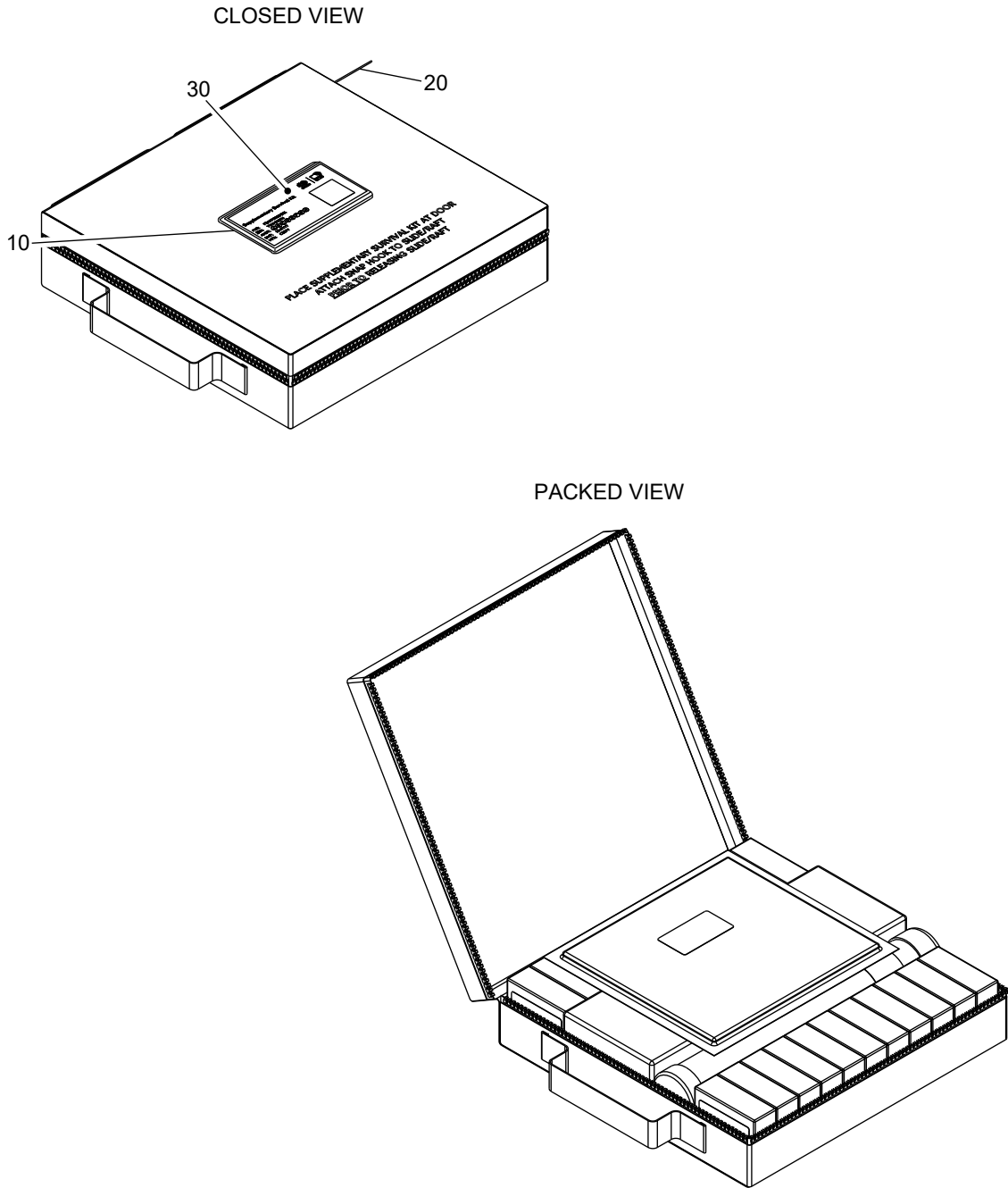


COMPONENTS MAINTENANCE MANUAL  
SUPPLEMENTARY SURVIVAL KIT

INTENTIONALLY LEFT BLANK



COMPONENTS MAINTENANCE MANUAL  
SUPPLEMENTARY SURVIVAL KIT

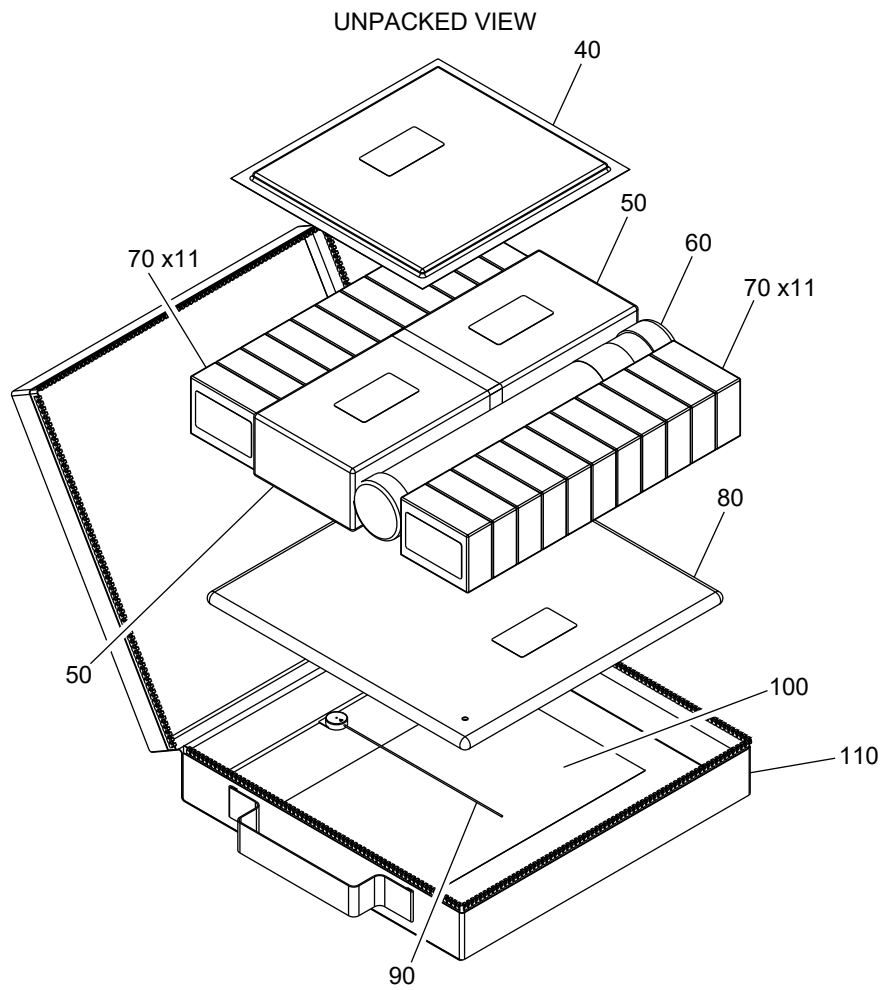


25620101A01

SUPPLEMENTARY SURVIVAL KIT-VARIANT 2  
FIGURE 1A



COMPONENTS MAINTENANCE MANUAL  
SUPPLEMENTARY SURVIVAL KIT



25620101A02

SUPPLEMENTARY SURVIVAL KIT-VARIANT 2  
FIGURE 1A



COMPONENTS MAINTENANCE MANUAL  
SUPPLEMENTARY SURVIVAL KIT

FIG. ITEM	PART NUMBER	AIRL. STOC-K NO.	NOMENCLATURE 1234567	EFF CODE	UPA
1A					
- 001A	P3APP000511A		SUPPLEMENTARY SURVIVAL KIT-VARIANT 2		RF
10	P3PRT000874A		.MAINTENANCE RELEASE RECORD CARD		1
20	32945		.SEAL		1
30	P3PRT000475D		.RFID LABEL		1
40	P3APP000523A		.DESALINATION FILTER		1
50	P3APP000519C		.WATER PACK 500 ML		2
60	P3APP000522A		.AERIAL FLARE		1
70	P3APP000518C		.GLUCOSE TABLETS PACK 73.6 g		22
80	P3APP000519D		.WATER PACK 500 ML FLAT		1
90	32946		.OVERHAUL SEAL		1
100	P3PRT000859A		.AIR GROUND CODE		1
110	P3APP000517B		.SSK BAG - VARIANT 2		1

- ITEM NOT ILLUSTRATED



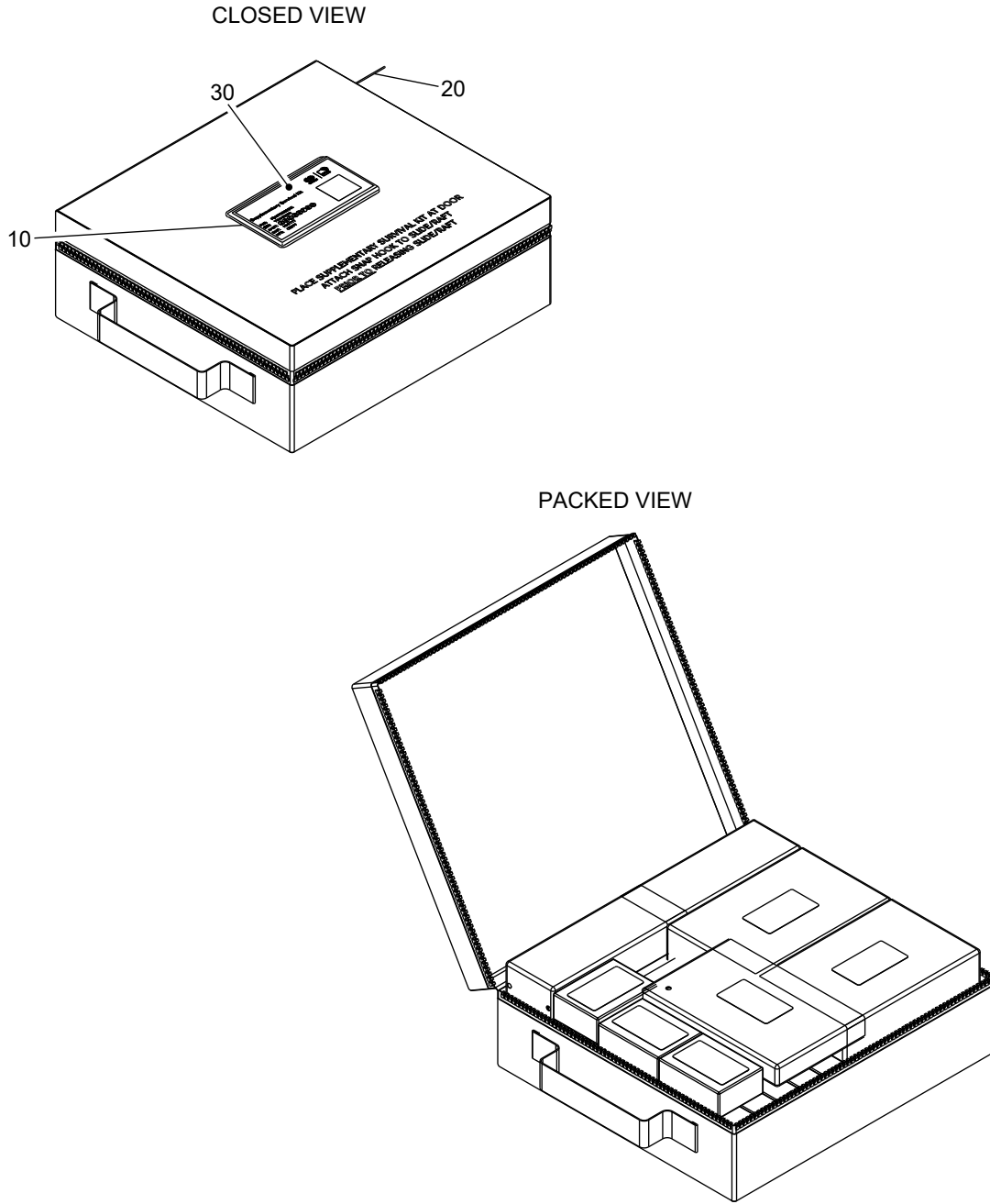
COMPONENTS MAINTENANCE MANUAL  
SUPPLEMENTARY SURVIVAL KIT

INTENTIONALLY LEFT BLANK





COMPONENTS MAINTENANCE MANUAL  
SUPPLEMENTARY SURVIVAL KIT

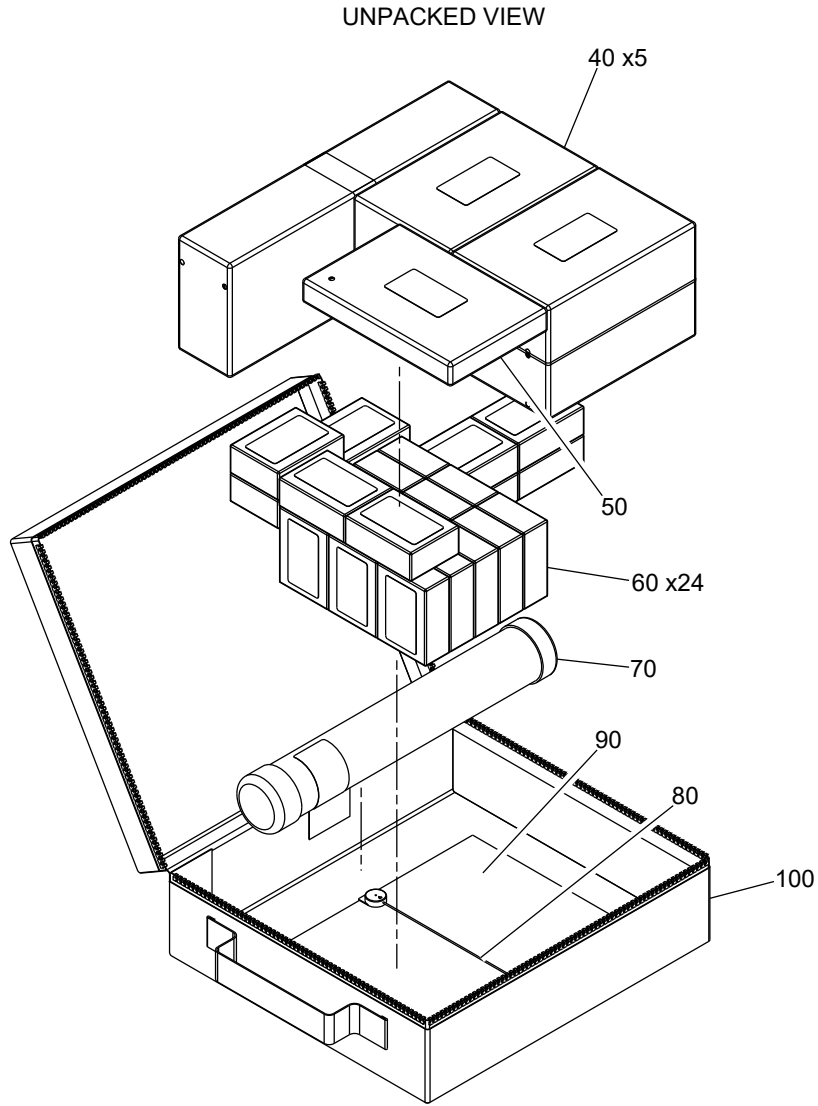


25620101B01

SUPPLEMENTARY SURVIVAL KIT-VARIANT 3  
FIGURE 1B



COMPONENTS MAINTENANCE MANUAL  
SUPPLEMENTARY SURVIVAL KIT



25620101B02

SUPPLEMENTARY SURVIVAL KIT-VARIANT 3  
FIGURE 1B



COMPONENTS MAINTENANCE MANUAL  
SUPPLEMENTARY SURVIVAL KIT

FIG. ITEM	PART NUMBER	AIRL. STOC-K NO.	NOMENCLATURE 1234567	EFF CODE	UPA
1B					
- 001A	P3APP000512A		SUPPLEMENTARY SURVIVAL KIT-VARIANT 3		RF
10	P3PRT000874A		.MAINTENANCE RELEASE RECORD CARD		1
20	32945		.SEAL		1
30	P3PRT000475D		.RFID LABEL		1
40	P3APP000519C		.WATER PACK 500 ML		5
50	P3APP000519E		.WATER PACK 200 ML		1
60	P3APP000518C		.GLUCOSE TABLETS PACK 73.6 g		24
70	P3APP000522A		.AERIAL FLARE		1
80	32946		.OVERHAUL SEAL		1
90	P3PRT000859A		.AIR GROUND CODE		1
100	P3APP000517C		.SSK BAG - VARIANT 3		1

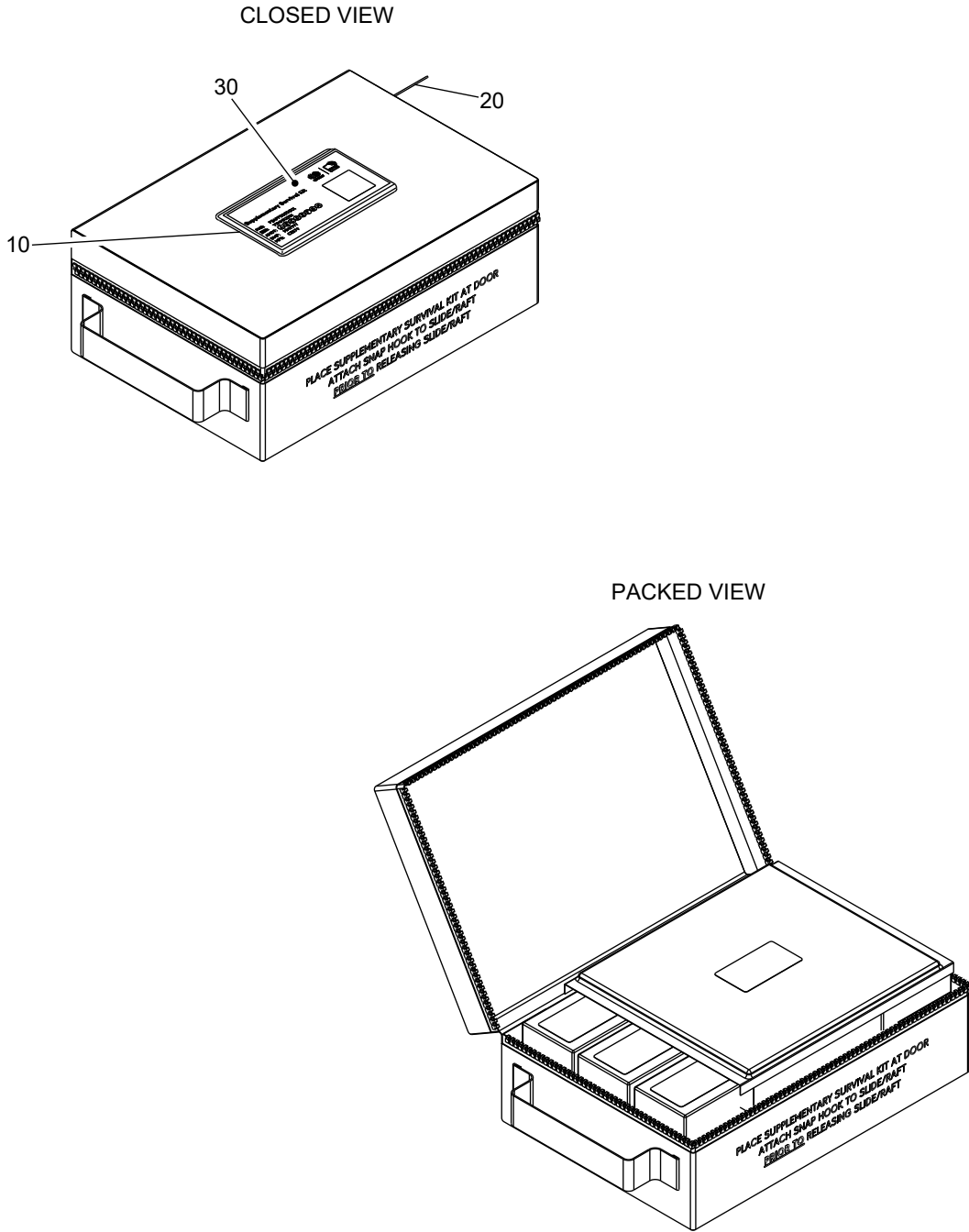
- ITEM NOT ILLUSTRATED



COMPONENTS MAINTENANCE MANUAL  
SUPPLEMENTARY SURVIVAL KIT

INTENTIONALLY LEFT BLANK

COMPONENTS MAINTENANCE MANUAL  
SUPPLEMENTARY SURVIVAL KIT

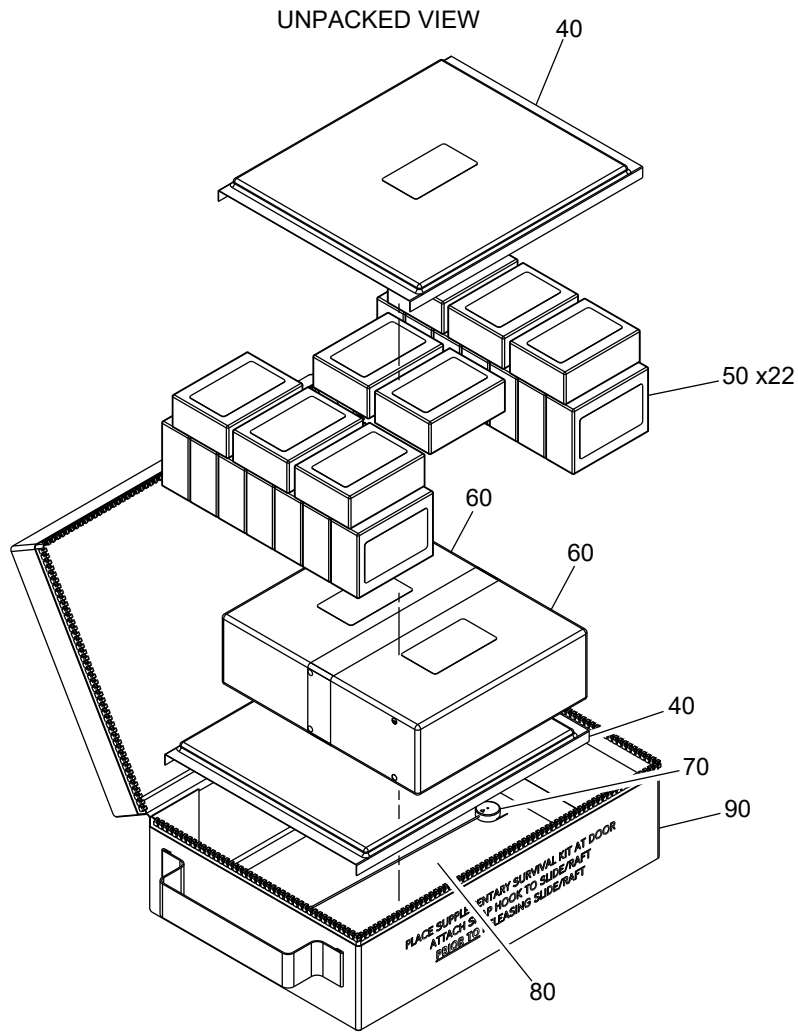


25620101C01

SUPPLEMENTARY SURVIVAL KIT-VARIANT 4  
FIGURE 1C



COMPONENTS MAINTENANCE MANUAL  
SUPPLEMENTARY SURVIVAL KIT



25620101C02

SUPPLEMENTARY SURVIVAL KIT-VARIANT 4  
FIGURE 1C



COMPONENTS MAINTENANCE MANUAL  
SUPPLEMENTARY SURVIVAL KIT

FIG. ITEM	PART NUMBER	AIRL. STOC- K NO.	NOMENCLATURE 1234567	EFF CODE	UPA
1C					
- 001A	P3APP000513A		SUPPLEMENTARY SURVIVAL KIT-VARIANT 4		RF
10	P3PRT000874A		.MAINTENANCE RELEASE RECORD CARD		1
20	32945		.SEAL		1
30	P3PRT000475D		.RFID LABEL		1
40	P3APP000523A		.DESALINATION FILTER		2
50	P3APP000518C		.GLUCOSE TABLETS PACK 73.6 g		22
60	P3APP000519C		.WATER PACK 500 ML		2
70	P3PRT000859A		.AIR GROUND CODE		1
80	32946		.OVERHAUL SEAL		1
90	P3APP000517D		.SSK BAG - VARIANT 4		1

- ITEM NOT ILLUSTRATED



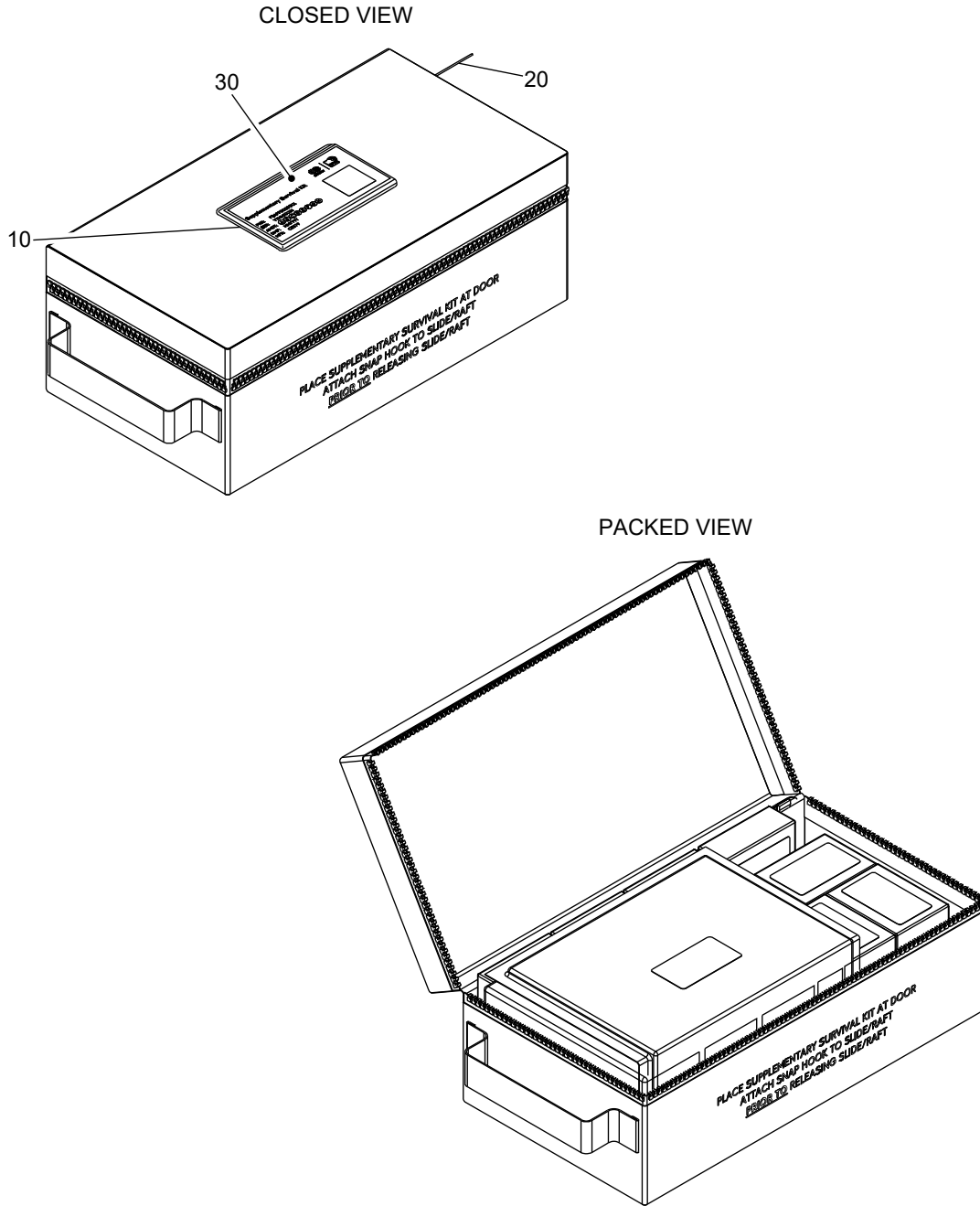
COMPONENTS MAINTENANCE MANUAL  
SUPPLEMENTARY SURVIVAL KIT

INTENTIONALLY LEFT BLANK





COMPONENTS MAINTENANCE MANUAL  
SUPPLEMENTARY SURVIVAL KIT

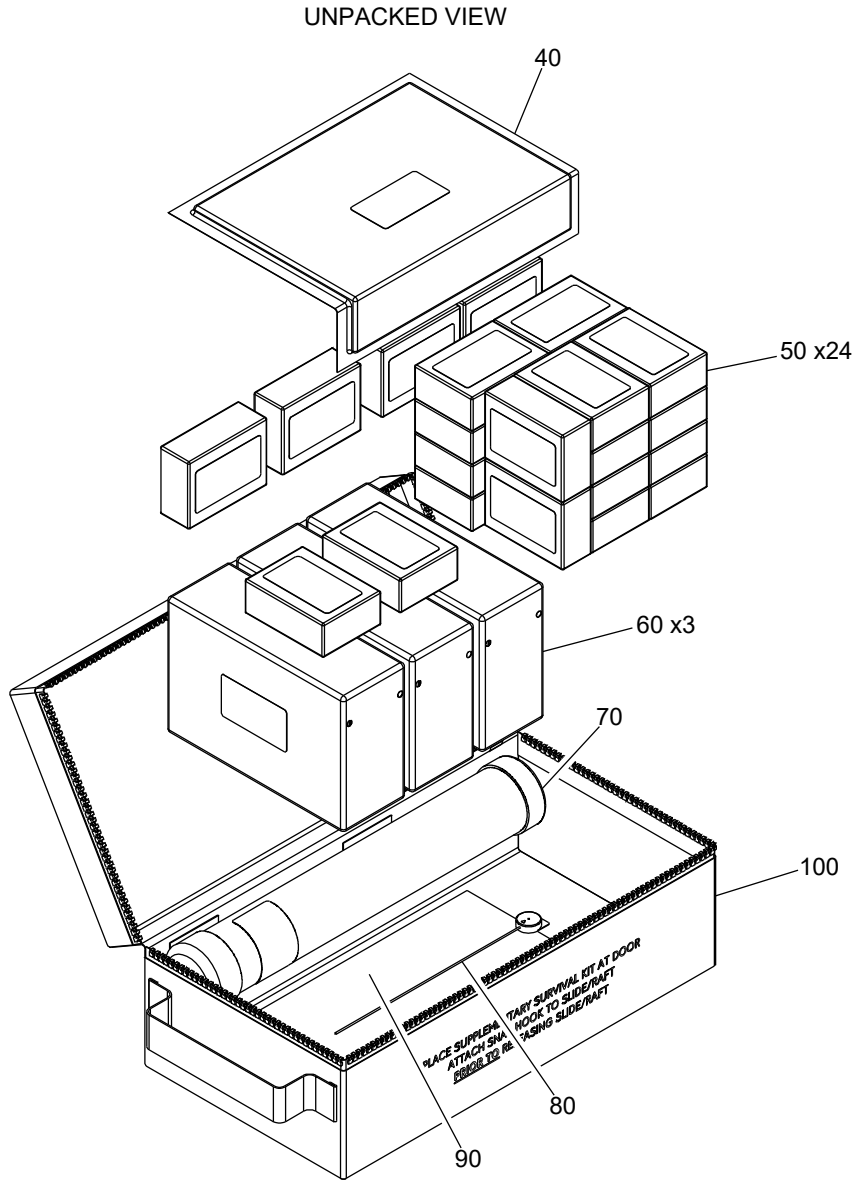


25620101D01

SUPPLEMENTARY SURVIVAL KIT-VARIANT 5  
FIGURE 1D



COMPONENTS MAINTENANCE MANUAL  
SUPPLEMENTARY SURVIVAL KIT



25620101D02

SUPPLEMENTARY SURVIVAL KIT-VARIANT 5  
FIGURE 1D



COMPONENTS MAINTENANCE MANUAL  
SUPPLEMENTARY SURVIVAL KIT

FIG. ITEM	PART NUMBER	AIRL. STOC- K NO.	NOMENCLATURE 1234567	EFF CODE	UPA
1D					
- 001A	P3APP000514A		SUPPLEMENTARY SURVIVAL KIT-VARIANT 5		RF
10	P3PRT000874A		.MAINTENANCE RELEASE RECORD CARD		1
20	32945		.SEAL		1
30	P3PRT000475D		.RFID LABEL		1
40	P3APP000523A		.DESALINATION FILTER		1
50	P3APP000518C		.GLUCOSE TABLETS PACK 73.6g		24
60	P3APP000519C		.WATER PACK 500ML		3
70	P3APP000522A		.AERIAL FLARE		1
80	P3PRT000859A		.AIR GROUND CODE		1
90	32946		.OVERHAUL SEAL		1
100	P3APP000517E		.SSK BAG - VARIANT 5		1

- ITEM NOT ILLUSTRATED

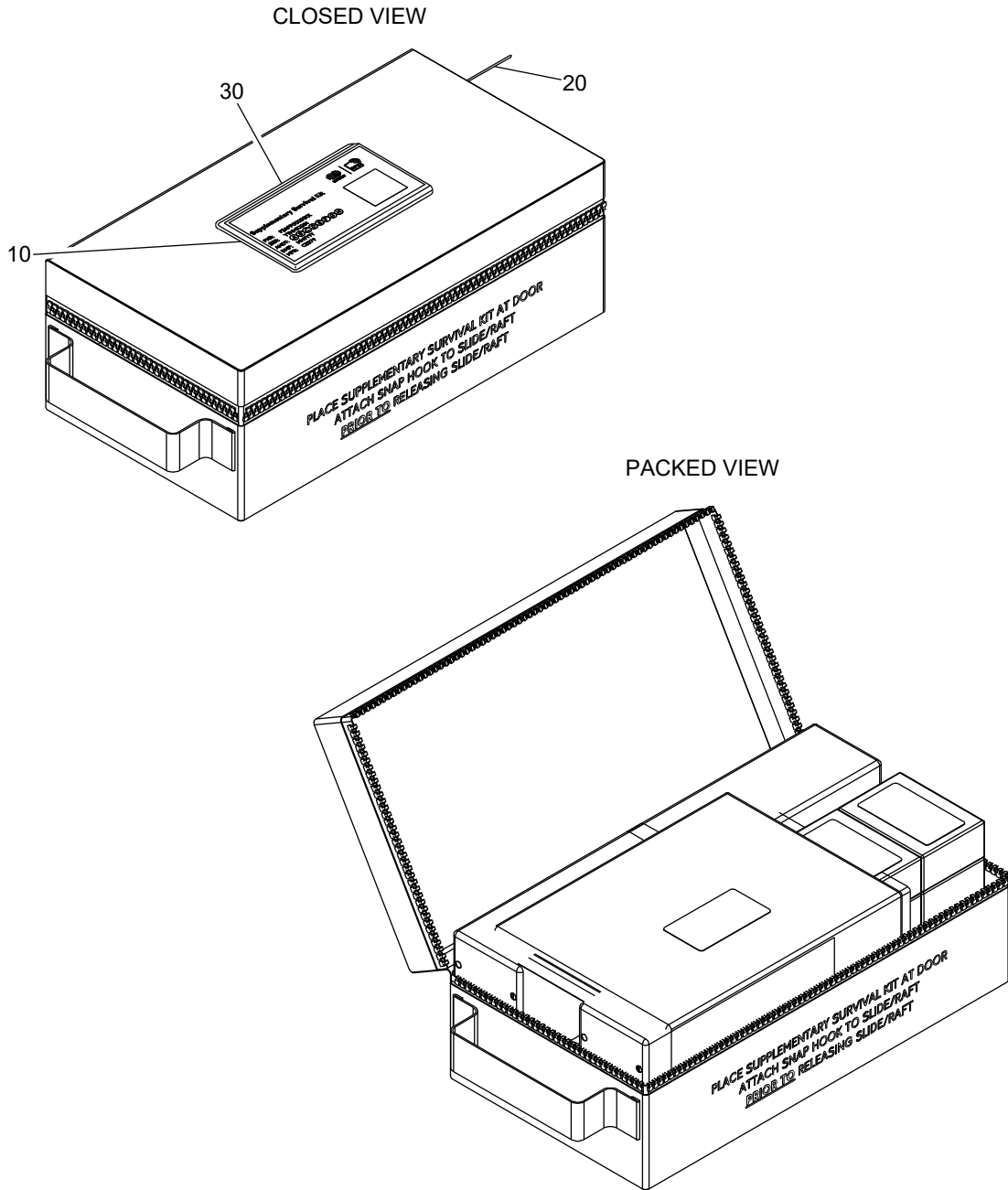


COMPONENTS MAINTENANCE MANUAL  
SUPPLEMENTARY SURVIVAL KIT

INTENTIONALLY LEFT BLANK



COMPONENTS MAINTENANCE MANUAL  
SUPPLEMENTARY SURVIVAL KIT



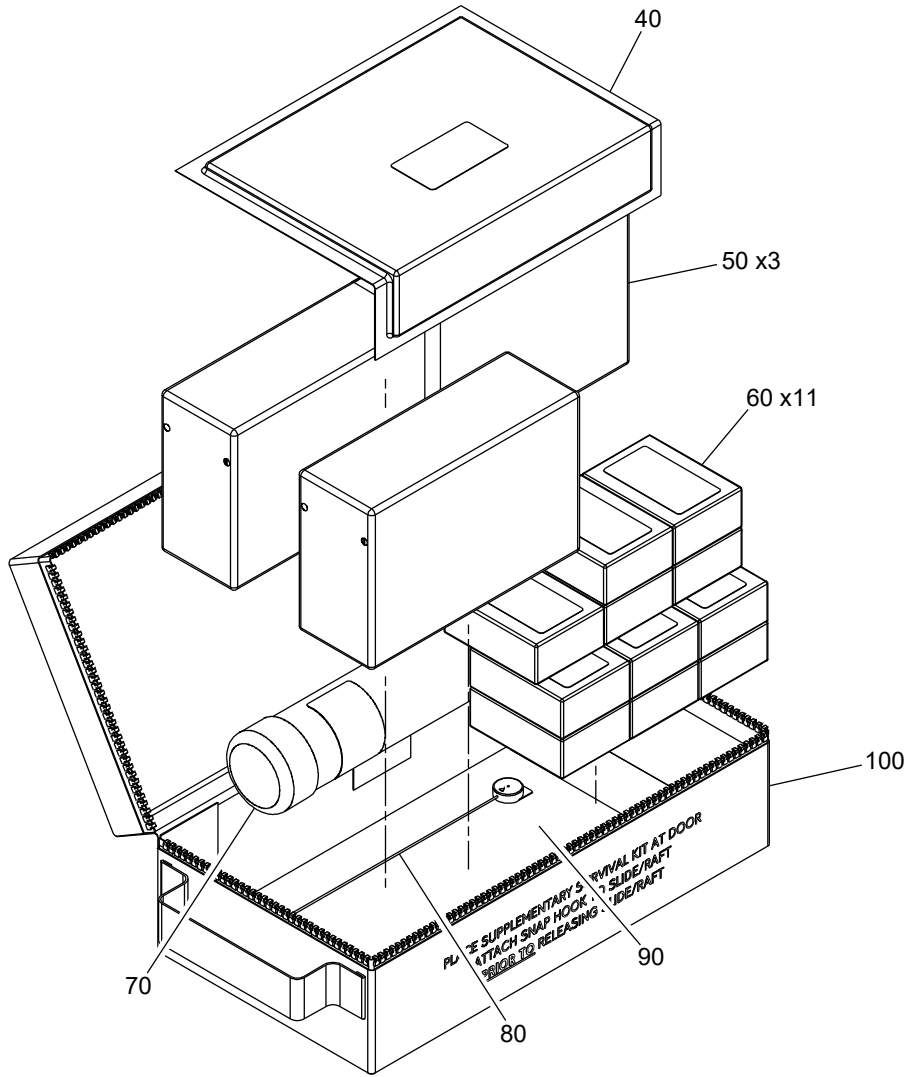
25620101E01

SUPPLEMENTARY SURVIVAL KIT-VARIANT 6  
FIGURE 1E



COMPONENTS MAINTENANCE MANUAL  
SUPPLEMENTARY SURVIVAL KIT

UNPACKED VIEW



25620101E02

SUPPLEMENTARY SURVIVAL KIT-VARIANT 6  
FIGURE 1E

**25-62-01**

Rev. No. 00  
Rev. Date May 06/2022  
Page 10001E-2



COMPONENTS MAINTENANCE MANUAL  
SUPPLEMENTARY SURVIVAL KIT

FIG. ITEM	PART NUMBER	AIRL. STOCK NO.	NOMENCLATURE 1234567	EFF CODE	UPA
1E					
- 001A	P3APP000515A		SUPPLEMENTARY SURVIVAL KIT-VARIANT 6		RF
10	P3PRT000874A		.MAINTENANCE RELEASE RECORD CARD		1
20	32945		. SEAL		1
30	P3PRT000475D		.RFID LABEL		1
40	P3APP000523A		.DESALINATION FILTER		1
50	P3APP000519C		.WATER PACK 500 ML		3
60	P3APP000518C		.GLUCOSE TABLETS PACK 73.6 g		11
70	P3APP000522A		.AERIAL FLARE		1
80	P3PRT000859A		.AIR GROUND CODE		1
90	32946		.OVERHAUL SEAL		1
100	P3APP000517F		.SSK BAG - VARIANT 6		1

- ITEM NOT ILLUSTRATED



COMPONENTS MAINTENANCE MANUAL  
SUPPLEMENTARY SURVIVAL KIT

INTENTIONALLY LEFT BLANK