

# Halon-free fire extinguisher Bracket options

15-Jan-21



# HAFEX Brackets Comparison

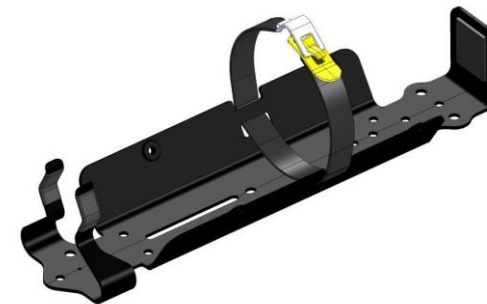
## POLYMERIC BRACKETS

- + Low RC Costs
- + Light Weight
- + Shorter Production Lead time
- High NRC Costs
- Development Lead Time
- Tooling required



## METALLIC BRACKETS

- + No flammability testing necessary
- + Adaption of current designs
- + No tooling required
- + Lower NRC costs
- Higher in weight
- Higher RC costs





# Halon-free fire extinguisher brackets.

## Legacy bracket.

### Specification:

Part Number: P3APP003020A

Body Material: polymeric

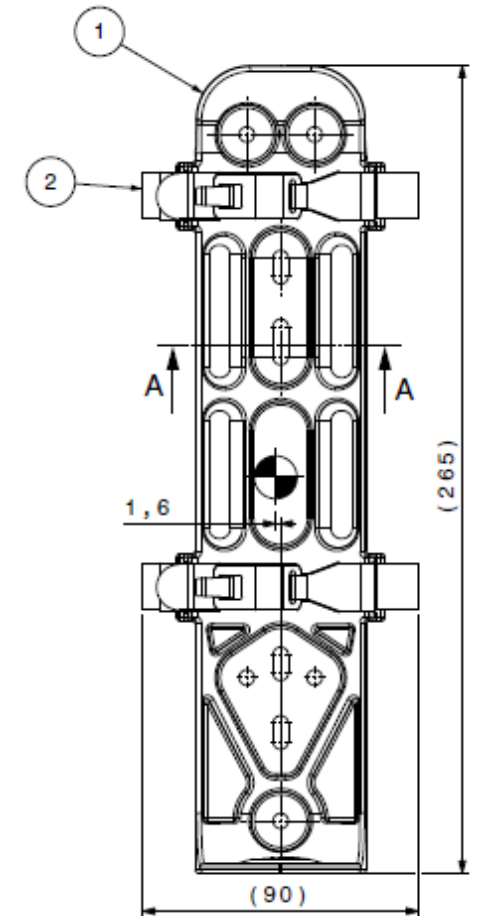
Straps: 2 metallic straps

Weight: 0.169 kg

Certification: UL certified



Interface points can be modified according to customer requirements





# Halon-free fire extinguisher brackets.

## Standard bracket.

### Specification:

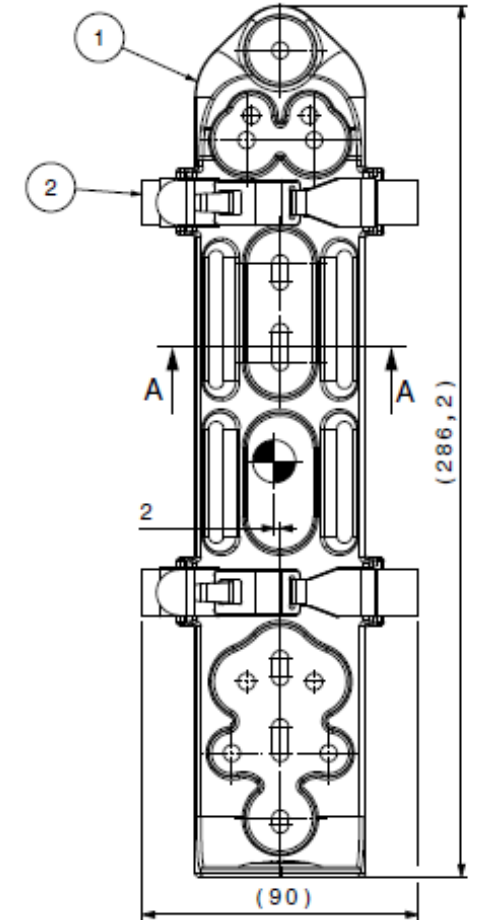
Part Number: P3APP003020B

Body Material: polymeric

Straps: 2 metallic straps

Weight: 0.176 kg

Certification: UL certified

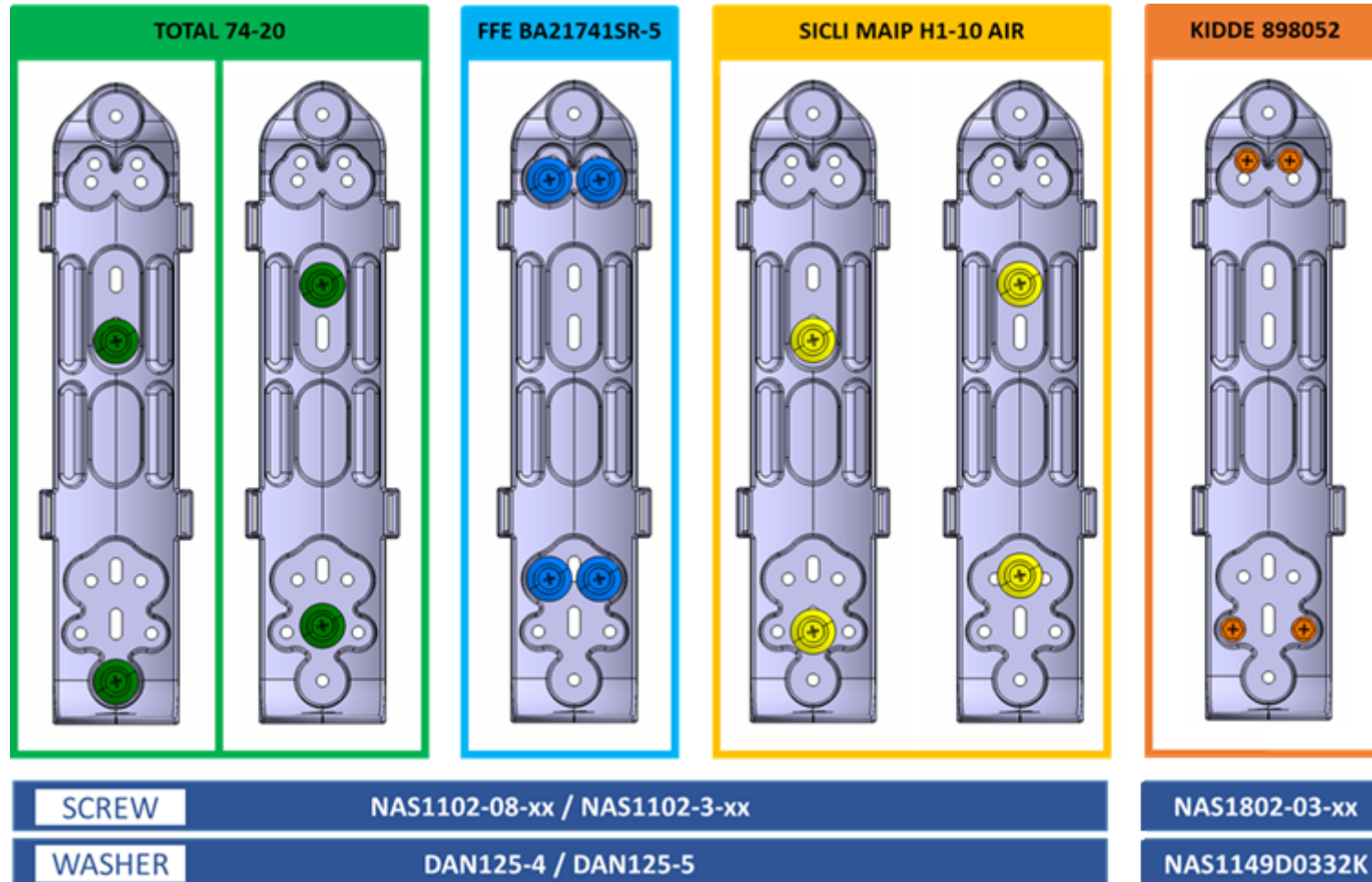


Interface points can be modified according to customer requirements



# Halon-free fire extinguisher brackets

## Fixation options P3APP003020B.





# Halon-free fire extinguisher brackets.

## Customer specific bracket.

### Specification:

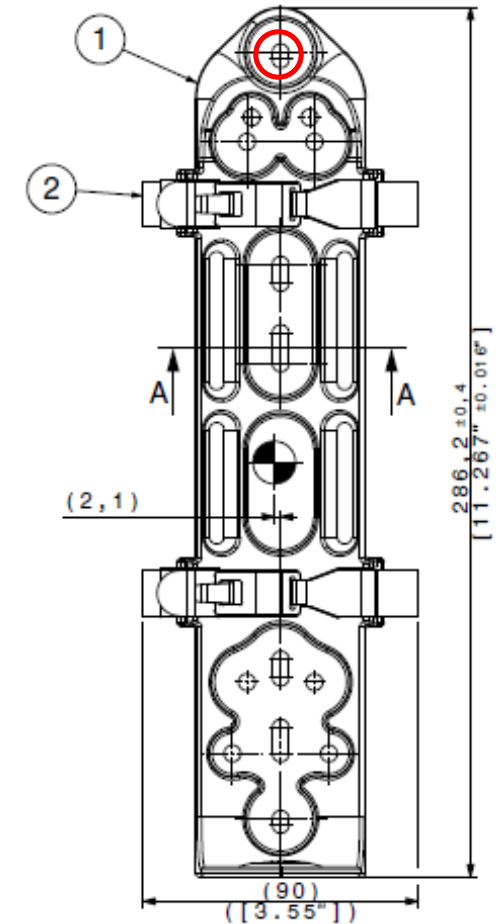
Part Number: customer IP

Body Material: polymeric\*

Straps: 2 metallic straps

Weight: 0.175 kg

Certification: UL certified

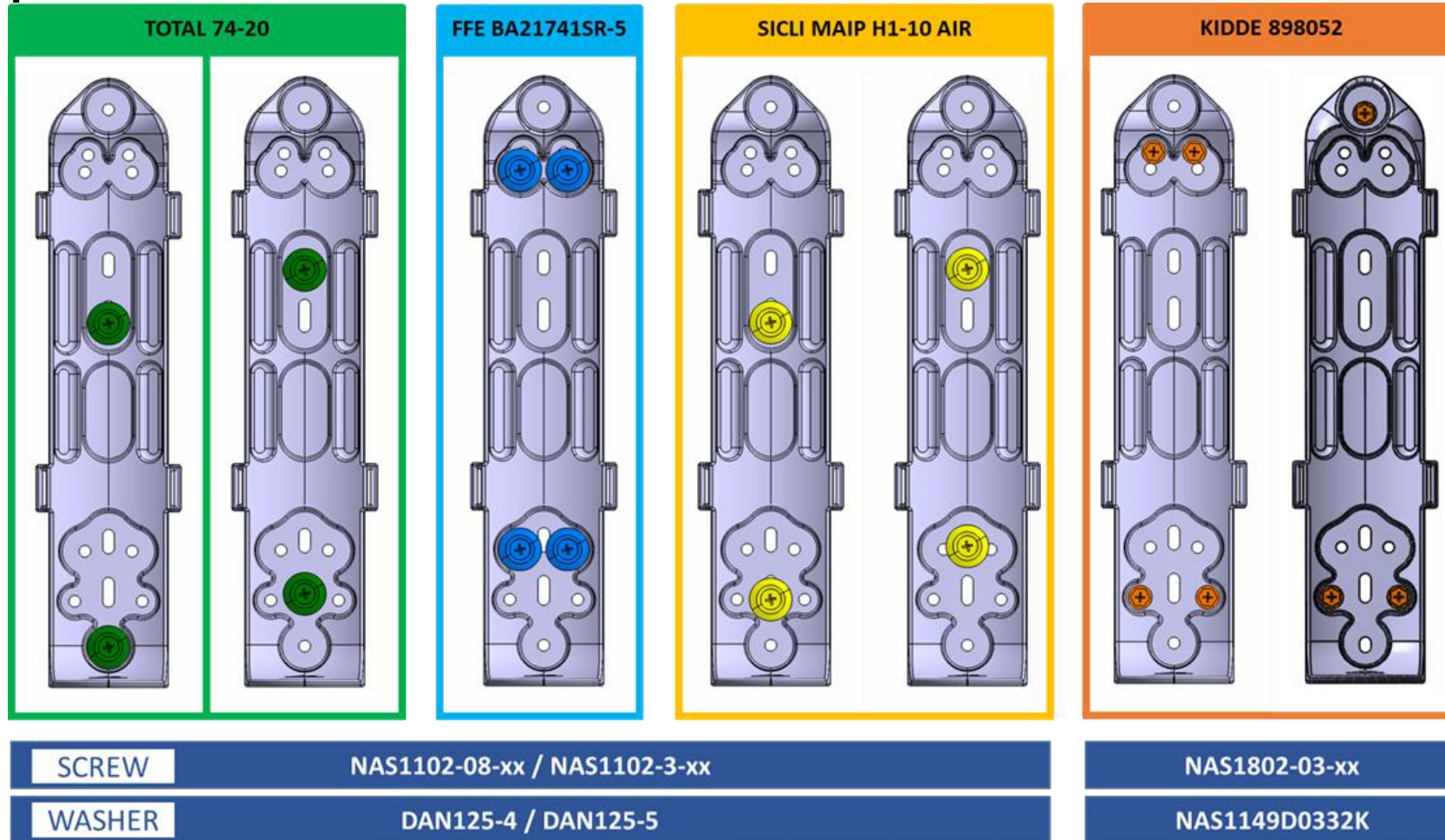


\*The injection molded part is made from the injection molded part of P3APP003020B by milling of the hole marked on the right.



# Halon-free fire extinguisher brackets.

## Fixation options P3APP003020G.







# Halon-free fire extinguisher brackets.

## Customer specific bracket.

### Specification:

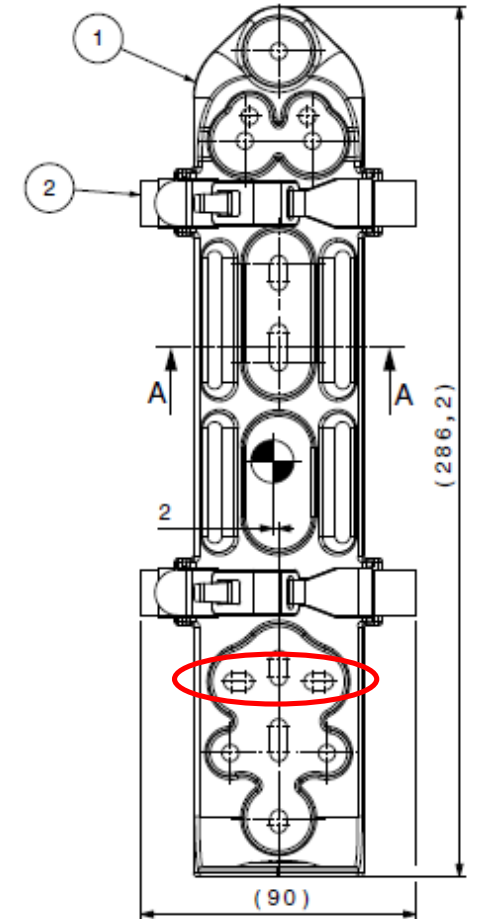
Part Number: customer IP

Body Material: polymeric\*

Straps: 2 metallic straps

Weight: 0.175 kg

Certification: UL certified



\*The injection molded part is made from the injection molded part of P3APP003020B by milling of the holes marked on the right.





# Halon-free fire extinguisher brackets.

## Metallic bracket without neck support.

### Specification:

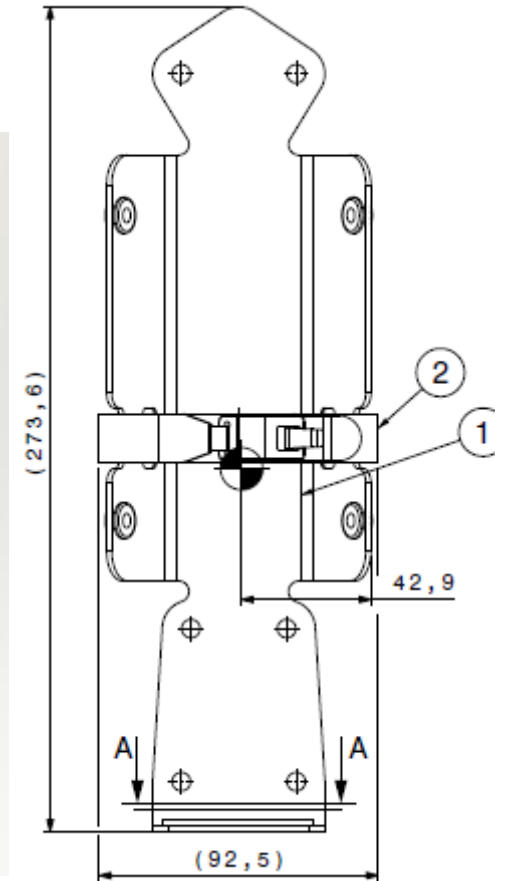
Part Number: P3APP003020F

Body Material: metallic without neck support

Straps: 1 metallic straps

Weight: 0.186 kg

Certification: UL certified





# Halon-free fire extinguisher brackets.

Metallic bracket with neck support.

## Specification:

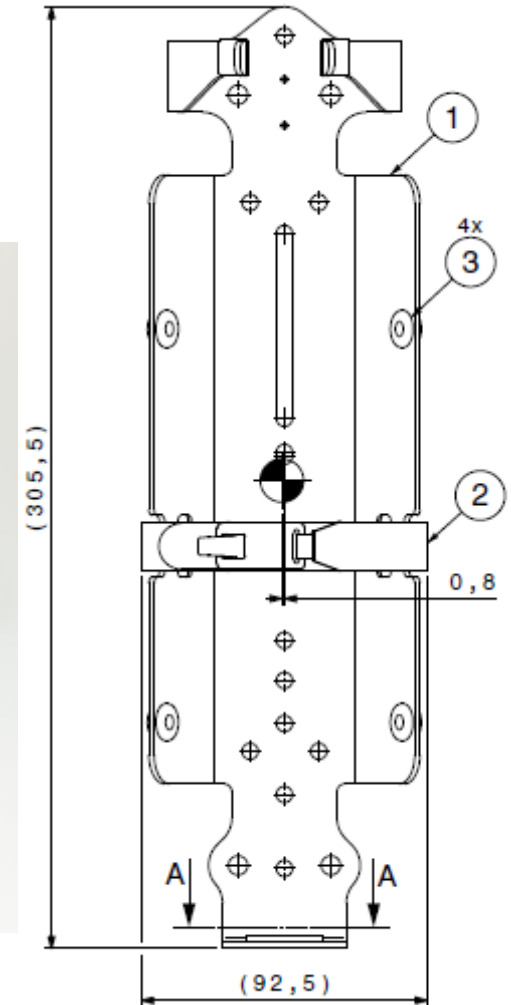
Part Number: customer IP

Body Material: metallic with neck support

Straps: 1 metallic straps

Weight: 0.232 kg

Certification: UL certified





**www.umlaut.com**



## **Disclaimer**

This document and all information contained herein is the sole property of umlaut. No intellectual property rights are granted by the delivery of this document or the disclosure of its content. This document shall not be reproduced or disclosed to a third party without the express written consent of umlaut. This document and its content shall not be used for any purpose other than that for which it is supplied.