



umlaut

COMPONENTS MAINTENANCE MANUAL
HAFEX – HALON ALTERNATIVE FIRE EXTINGUISHER

CE579

**COMPONENT MAINTENANCE MANUAL
WITH
ILLUSTRATED PARTS LIST**

26-24-02
REVISION 02

**HAFEX - HALON ALTERNATIVE FIRE
EXTINGUISHER**

P3APP003010A

P3APP003010B

P3APP003010C

THIS DOCUMENT CONTAINS TECHNOLOGY OR TECHNICAL DATA NOT
CONTROLLED UNDER GERMAN REGULATIONS. IT MAY CONTAIN 9A610.Y OR EAR99
TECHNICAL DATA. HOWEVER LOCAL REGULATIONS APPLY.

26-24-02

Rev. No.
Rev. Date
Page

02
May 10/2021
TITLE 1



COMPONENTS MAINTENANCE MANUAL
HAFEX – HALON ALTERNATIVE FIRE EXTINGUISHER

Copyright © 2021 umlaut engineering GmbH.

PROPRIETARY INFORMATION DISCLOSURE RESTRICTION

The information contained in this document is umlaut engineering GmbH proprietary information. It is disclosed in confidence and is intended for internal use only by umlaut engineering GmbH authorized owner/lessee operators and repair stations. It is the property of umlaut engineering GmbH and must not be altered, reused, disclosed to others or reproduced for distribution or redistribution in any form, paper or electronic, without the express written consent of umlaut engineering GmbH. This includes but is not limited to its use in the creation, manufacture, development, or derivation of any repairs, modifications, spare parts, design, or configuration changes or to obtain FAA or any other government or regulatory approval to do so. If consent is given for reproduction in whole or part, this notice must appear in any such reproduction in whole.

Umlaut engineering GmbH assumes no liability whatsoever, whether contractual, warranty, tort or otherwise, for unauthorized alteration or alterations not performed in accordance with umlaut engineering GmbH approved procedures.



COMPONENTS MAINTENANCE MANUAL
HAFEX – HALON ALTERNATIVE FIRE EXTINGUISHER

HIGHLIGHTS

TO: HOLDERS OF COMPONENT MAINTENANCE MANUAL FOR HAFEX - HALON
ALTERNATIVE FIRE EXTINGUISHER, ATA 26-24-02.

REVISION NO. 02

PAGE BLOCK	DESCRIPTION OF CHANGE
TITLE	TITLE 1. CMM number and revision number updated. TITLE 2. Year updated.
SERVICE BULLETIN LIST	New VSB added.
DESCRIPTION AND OPERATION	Page 4. Table 2 updated and caution added. Page 5. Table 3 moved to previous page.
INSPECTION/CHECK	Page 5002. Note added. Page 5004. Illustration updated. Page 5005. Procedure newly added. Page 5006 thru 5008. Illustrations newly created.
STORAGE	Page 15001. Note removed and added.



umlaut

COMPONENTS MAINTENANCE MANUAL
HAFEX – HALON ALTERNATIVE FIRE EXTINGUISHER

INTENTIONALLY LEFT BLANK



COMPONENTS MAINTENANCE MANUAL
HAFEX – HALON ALTERNATIVE FIRE EXTINGUISHER

RECORD OF REVISIONS

RE. NO.	ISSUE DATE	INSERTED		RE. NO.	ISSUE DATE	INSERTED	
		DATE	BY			DATE	BY
00	Nov 26/2019						
01	Oct 06/2020						
02	May 10/2021						

Retain this record in the front of the manual.

On receipt of revisions, insert revised page in the manual and enter revision number, date and initials.



umlaut

COMPONENTS MAINTENANCE MANUAL
HAFEX – HALON ALTERNATIVE FIRE EXTINGUISHER

INTENTIONALLY LEFT BLANK



COMPONENTS MAINTENANCE MANUAL
HAFEX – HALON ALTERNATIVE FIRE EXTINGUISHER

LIST OF SERVICE BULLETINS

SERVICE BULLETIN NO./ TITLE	MOD. NO.	REV. NO.	ISSUE DATE	STATUS
3010-26-000		01	OCT 01/2020	RELEASED
P3VSB000001		D	SEP 09/2020	RELEASED
P3VSB000003		C	AUG 03/2021	RELEASED



umlaut

COMPONENTS MAINTENANCE MANUAL
HAFEX – HALON ALTERNATIVE FIRE EXTINGUISHER

INTENTIONALLY LEFT BLANK



COMPONENTS MAINTENANCE MANUAL
HAFEX – HALON ALTERNATIVE FIRE EXTINGUISHER

LIST OF EFFECTIVE PAGES

<u>SUBJECT</u>	<u>PAGE</u>	<u>DATE</u>	<u>RE</u>	<u>SUBJECT</u>	<u>PAGE</u>	<u>DATE</u>	<u>RE</u>
<u>TITLE PAGE</u>				<u>DESCRIPTION AND OPERATION</u>			
	TITLE 1	May 10/2021	02		1	Nov 26/2019	00
	TITLE 2	May 10/2021	02		2	Nov 26/2019	00
					3	Nov 26/2019	00
<u>HIGHLIGHTS</u>					4	May 10/2021	02
	HIGHLIGHTS 1	May 10/2021	02		5	May 10/2021	02
	HIGHLIGHTS 2	blank	01		6	Nov 26/2019	00
					7	Nov 26/2019	00
<u>RECORD OF REVISION</u>					8	May 10/2021	02
	ROR 1	May 10/2021	02				
	ROR 2	blank	01				
				<u>TESTING AND FAULT ISOLATION</u>			
<u>SERVICE BULLETIN LIST</u>							
	SBL 1	May 10/2021	02		1001	Nov 26/2019	00
	SBL 2	blank	01		1002	blank	00
<u>LIST OF EFFECTIVE PAGES</u>				<u>DISASSEMBLY</u>			
	LEP 1	May 10/2021	02		3001	Nov 26/2019	00
	LEP 2	May 10/2021	02		3002	blank	00
<u>TABLE OF CONTENTS</u>				<u>CLEANING</u>			
	TOC 1	May 10/2021	02		4001	Nov 26/2019	00
	TOC 2	May 10/2021	02		4002	blank	00
<u>LIST OF ILLUSTRATIONS</u>				<u>INSPECTION/CHECK</u>			
	LOI 1	Oct 06/2020	01		5001	Oct 06/2020	01
	LOI 2	blank	01		5002	May 10/2021	02
					5003	Nov 26/2019	00
					5004	May 10/2021	02
<u>LIST OF TABLES</u>					5005	May 10/2021	02
					5006	May 10/2021	02
	LOT 1	May 10/2021	02		5007	May 10/2021	02
	LOT 2	blank	00		5008	May 10/2021	02
<u>INTRODUCTION</u>				<u>REPAIR</u>			
	INTRO 1	Nov 26/2019	00		6001	Oct 06/2020	01
	INTRO 2	Oct 06/2020	01		6002	Nov 26/2019	00
					6003	Nov 26/2019	00
					6004	blank	00



COMPONENTS MAINTENANCE MANUAL
HAFEX – HALON ALTERNATIVE FIRE EXTINGUISHER

LIST OF EFFECTIVE PAGES

<u>SUBJECT</u>	<u>PAGE</u>	<u>DATE</u>	<u>RE</u>	<u>SUBJECT</u>	<u>PAGE</u>	<u>DATE</u>	<u>RE</u>
<u>ASSEMBLY</u>				<u>REWORK</u>			
	7001	Nov 26/2019	00		16001	Nov 26/2019	00
	7002	blank	00		16002	blank	00
<u>FITS AND CLEARANCES</u>				<u>ILLUSTRATED PART LIST</u>			
	8001	Nov 26/2019	00		IPL-TP 10001	Nov 26/2019	00
	8002	blank	00		IPL-TP 10002	blank	00
<u>SPECIAL TOOLS, FIXTURES, EQUIPMENT AND CONSUMABLES</u>				<u>IPL INTRODUCTION</u>			
	9001	Nov 26/2019	00		INTRO 10001	Nov 26/2019	00
	9002	blank	00		INTRO 10002	Nov 26/2019	00
					INTRO 10003	Nov 26/2019	00
					INTRO 10004	blank	00
<u>SPECIAL PROCEDURES</u>				<u>NUMERICAL INDEX</u>			
	11001	Nov 26/2019	00		NI 10001	Nov 26/2019	00
	11002	blank	00		NI 10002	blank	00
<u>REMOVAL</u>				<u>DETAILED PART LIST</u>			
	12001	Nov 26/2019	00		DPL 10001	Nov 26/2019	00
	12002	blank	00		DPL 10002	blank	00
<u>INSTALLATION</u>				<u>FIGURES: HAFEX – HALON ALTERNATIVE FIRE EXTINGUISHER</u>			
					10001A-0	Nov 26/2019	00
	13001	Oct 06/2020	01		10001A-1	Nov 26/2019	00
	13002	blank	01				
<u>SERVICING</u>							
	14001	Nov 26/2019	00				
	14002	blank	00				
<u>STORAGE INCLUDING TRANSPORTATION</u>							
	15001	May 10/2021	02				
	15002	blank	00				



COMPONENTS MAINTENANCE MANUAL
HAFEX – HALON ALTERNATIVE FIRE EXTINGUISHER

TABLE OF CONTENTS

INTRODUCTION	INTRO 1
1. GENERAL	INTRO 1
2. MANUFACTURING	INTRO 1
3. LAYOUT OF THE MANUAL	INTRO 1
4. REVISION SERVICE	INTRO 1
5. VALIDATION OF OPERATIONS DESCRIBED IN THIS MANUAL	INTRO 2
6. WARNING, CAUTIONS, NOTES	INTRO 2
7. LIST OF ABBREVIATIONS	INTRO 2
DESCRIPTION AND OPERATION	1
1. GENERAL	1
2. DESCRIPTION	2
3. TECHNICAL DATA	3
4. OPERATION	8
TESTING AND FAULT ISOLATION	1001
DISASSEMBLY.....	3001
CLEANING	4001
1. GENERAL	4001
INSPECTION/CHECK.....	5001
1. GENERAL	5001
2. PROCEDURE	5001
A. MONTHLY INSPECTION	5001
A. RECURRING INSPECTION	5002
A. CONDITIONAL INSPECTION	5005
REPAIR	6001
1. GENERAL	6001
2. PROCEDURE	6001
A. REPLACEMENT OF SAFETY PIN AND SEAL	6001
ASSEMBLY	7001
FITS AND CLEARANCES	8001
SPECIAL TOOLS, FIXTURES, EQUIPMENT AND CONSUMABLES	9001
SPECIAL PROCEDURES	11001
REMOVAL	12001
1. GENERAL	12001
2. PROCEDURE	12001
A. REMOVAL OF THE EXTINGUISHER.....	12001



COMPONENTS MAINTENANCE MANUAL
HAFEX – HALON ALTERNATIVE FIRE EXTINGUISHER

TABLE OF CONTENTS

INSTALLATION 13001

 1. GENERAL 13001

 2. PROCEDURE 13001

 A. INSTALLATION OF THE EXTINGUISHER..... 13001

SERVICING 14001

STORAGE INCLUDING TRANSPORTATION 15001

 1. GENERAL 15001

 2. PROCEDURE 15001

 A. STORAGE 15001

REWORK 16001

ILLUSTRATED PARTS LIST IPL-TP10001

IPL INTRODUCTION INTRO 10001

NUMERICAL INDEX NI 10001

DETAILED PARTS LIST DPL 10001

FIGURE 1: HAFEX - HALON ALTERNATIVE FIRE EXTINGUISHER10001A-0



COMPONENTS MAINTENANCE MANUAL
HAFEX – HALON ALTERNATIVE FIRE EXTINGUISHER

LIST OF ILLUSTRATIONS

<u>TITLE</u>	<u>FIGURE</u>	<u>PAGE</u>
COLOR CODING	FIGURE 1	6
COMPONENTS AND DIMENSIONS – HAFEX – HALON ALTERNATIVE FIRE EXTINGUISHER	FIGURE 2	7
PRESSURE GAUGE	FIGURE 5001	5003
SAFETY SEAL	FIGURE 5002	5004
VERTICAL POSITION	FIGURE 5003	5006
PULL LEVER UP	FIGURE 5004	5007
CLEARANCE	FIGURE 5005	5008
LINE OF EXTRACTION	FIGURE 6001	6002
SAFETY PIN INSTALLATION	FIGURE 6002	6003
HAFEX – HALON ALTERNATIVE FIRE EXTINGUISHER	FIGURE 1	10001A – 0



umlaut

COMPONENTS MAINTENANCE MANUAL
HAFEX – HALON ALTERNATIVE FIRE EXTINGUISHER

INTENTIONALLY LEFT BLANK



COMPONENTS MAINTENANCE MANUAL
HAFEX – HALON ALTERNATIVE FIRE EXTINGUISHER

LIST OF TABLES

<u>TITLE</u>	<u>FIGURE</u>	<u>PAGE</u>
LIST OF ABBREVIATIONS	TABLE 1	INTRO 2
PROPERTIES	TABLE 2	4
CONFIGURATION AND WEIGHTS	TABLE 3	4
CONFIGURATION AND WEIGHTS	TABLE 4	5
PRESSURE GAUGE TOLERANCES	TABLE 5	5002



umlaut

COMPONENTS MAINTENANCE MANUAL
HAFEX – HALON ALTERNATIVE FIRE EXTINGUISHER

INTENTIONALLY LEFT BLANK

26-24-02

Rev. No.
Rev. Date
Page

00
Nov 26/2019
LOT 2



COMPONENTS MAINTENANCE MANUAL
HAFEX – HALON ALTERNATIVE FIRE EXTINGUISHER

INTRODUCTION

**** FOR PNs P3APP003010A P3APP003010B P3APP003010C**

TASK 26-24-02-871-802-A01

Introduction

CAUTION: THIS MANUAL PROVIDES THE NECESSARY INFORMATION TO PERFORM THE REPAIR IN AN INTERMEDIATE LEVEL MAINTENANCE SHOP (I - LEVEL).

THE THIRD LEVEL OF MAINTENANCE (D - LEVEL) IS NOT APPLICABLE IN THIS MANUAL.

1. General

- A. This manual 26–24–02 (Internal number: - P3DOC003241) has been compiled entirely from a SGML source in accordance with the requirements set out in the specification ATA iSpec 2200. It provides data as necessary for an approved repairer to restore an unserviceable HAFEX - HALON ALTERNATIVE FIRE EXTINGUISHER to a serviceable condition.

2. Manufacturing

- A. The HAFEX - HALON ALTERNATIVE FIRE EXTINGUISHER is manufactured and product supported by:

umlaut engineering GmbH

(FSCM CE579)

Blohmstraße 12

21079 Hamburg

Germany

E-Mail: HAFEX@umlaut.com

Internet: www.umlaut.com

3. Layout of the manual

- A. This manual contains a general description and operation followed by data for testing, check and repair instructions of the HAFEX - HALON ALTERNATIVE FIRE EXTINGUISHER. An **ILLUSTRATED PARTS LIST** is also included.

4. Revision service

- A. This manual 26–24–02 (Internal number: - P3DOC003241) will be updated as required by revisions. Service Bulletins (SBs) can be issued separately. Their effect on the manual will, however, be evident by reissue of the SB as applicable.



COMPONENTS MAINTENANCE MANUAL
HAFEX – HALON ALTERNATIVE FIRE EXTINGUISHER

5. Validation of operations described in this manual

- A. The maintenance operations described in this manual have been checked in manufacturer's workshops by an exact carrying out of dismantling, reassembly, test and repair instructions which are detailed in this document.
These operations are those in use at the latest revision date of the document.

6. Warnings, Cautions, Notes

- A. **WARNING:** Warnings call attention to use of materials, processes, methods, procedures or limits which must be precisely adhered to in order to prevent injury or death of persons.
- B. **CAUTION:** Cautions call attention to use of materials, processes, methods, procedures or limits which must be precisely adhered to in order to prevent damage of equipment.
- C. **NOTE:** Notes call attention to methods, which make the job easier.

7. List of Abbreviations

—	A dash before an item number indicates the item
AR	As required
ASSY	Assembly
EFF	Effectivity
FIG	Figure
NO.	Number
NP	Not procurable
RF	Reference. Indicates those parts which have their requirements listed elsewhere in the parts list
UPA	Units per Assembly

List of Abbreviations
TABLE 1



COMPONENTS MAINTENANCE MANUAL
HAFEX – HALON ALTERNATIVE FIRE EXTINGUISHER

DESCRIPTION AND OPERATION

**** FOR PNs P3APP003010A P3APP003010B P3APP003010C**

TASK 26-24-02-870-801-A01

General

This manual provides overhaul and maintenance instructions for the HAFEX - HALON ALTERNATIVE FIRE EXTINGUISHER.

The inspection and maintenance instructions in this CMM are in line with NFPA10 “Standard for Portable Fire Extinguishers”.



COMPONENTS MAINTENANCE MANUAL
HAFEX – HALON ALTERNATIVE FIRE EXTINGUISHER

**** FOR PNs P3APP003010A P3APP003010B P3APP003010C**

TASK 26-24-02-870-802-A01

Description

WARNING: THE EXTINGUISHER IS A PRESSURIZED EQUIPMENT WITH A LIMITED LIFE- TIME AND LIABLE TO HAVE A SERIAL NUMBER. MONITOR SERIAL NUMBER TO MAKE SURE THAT THE CORRECT MAINTENANCE INTERVALS ARE FOLLOWED AND THE EXTINGUISHER IS REMOVED FROM SERVICE IN TIME.

1. The Halon-Alternative Fire Extinguisher (HAFEX) is designed to fight fires of classes A, B and C as defined in UL711:
 - A. Class A: Fires that involve ordinary combustible materials such as wood, cloth, paper, rubber, and many plastics.
 - B. Class B: Fires that involve flammable liquids, petroleum greases, oil- based paints, solvents, lacquers, alcohols and flammable gases
 - C. Class C: Fire that involve energized electrical components.
2. The HAFEX achieved a rating of 5B:C and is certified for usage with these type of fires. Though it can be used to fight class A fires, it is too small to achieve a 1A- rating. More than 1 fire extinguisher can be required to extinguish a Class A fire.
3. The HAFEX passed the tests required by the Minimum Performance Standard DOT/FAA/AR-01/37.
4. The extinguisher is loaded with 1.6 kg (3.527 lbs.) of the clean agent Halotron BrX (Stabilized 2-bromo-3,3,3-trifluoro- propene). The article is pressurized with dry nitrogen. Actuation of the extinguisher is accomplished by a manual trigger action.
5. The cylinder of all variants of the HAFEX consists of a seamless aluminum cylindrical vessel. Each extinguisher is fitted with a head including an integrated nozzle. The valve head with the integrated nozzle and the actuation device are made of polymers.
6. The standard color for all extinguishers is red (RAL3001).



COMPONENTS MAINTENANCE MANUAL
HAFEX – HALON ALTERNATIVE FIRE EXTINGUISHER

**** FOR PNs P3APP003010A P3APP003010B P3APP003010C**

TASK 26-24-02-870-803-A01

Technical data

1. Life time

- A. Fire extinguisher (Non- rechargeable) - 12 Years (from date of manufacturing)
- B. Decommissioning (End of Lifetime)

WARNING: DO NOT RELEASE IN CLOSED, UNVENTILATED SPACES. EMPTY EXTINGUISHERS MUST BE DISCARDED IN ACCORDANCE WITH THE LOCAL REGULATIONS.

- 2. Charged extinguishers, which are removed from service due to end of lifetime or damage must be discharged and then discarded in accordance with the local regulations.

WARNING: BEFORE INSTALLATION OF A FIRE EXTINGUISHER, THE RESPONSIBLE ORGANIZATION MUST ENSURE AND DOCUMENT THAT THE PHYSICAL PROPERTIES (VOLUME OF PROTECTED SPACES, VENTILATION RATES OF SAME, CERTAINLY OF OPENING WINDOWS IF APPLICABLE, ETC.) OF ANY AIRPLANE OR HELICOPTER WHERE A UNIT MIGHT TO BE INSTALLED COMPLIES WITH THE LIMITATIONS DESCRIBED IN THE GUIDANCE PAPER “SETTING ACUTE EXPOSURE LIMITS FOR THE HALOTRON BRX (2-BROMO-3,3,3-TRIFLUOROPROPENE) CLEAN AGENT ONBOARD AIRCRAFT USING PHYSIOLOGICALLY BASED PHARMACOKINETIC MODELING, “ JULY 30, 2018 (AMERICAN PACIFIC), CONSIDERATIONS AS APPLICABLE OF STRATIFICATION DESCRIBED IN US DOT/ FAA/TC-14/50 “STRATIFICATION AND LOCALIZATION OF HALON 1211 DISCHARGED IN OCCUPIED AIRCRAFT COMPARTMENTS”, FEBRUARY 2016, GUIDANCE IN FAA AC 20-42D, “HAND FIRE EXTINGUISHERS FOR USE IN AIRCRAFT” AND ANY OTHER APPLICABLE US FAA GUIDANCE.



COMPONENTS MAINTENANCE MANUAL
HAFEX – HALON ALTERNATIVE FIRE EXTINGUISHER

3. Particulars

Fire rating	5B:C (UL 711) 34B (EN 4649)
Operating pressure (ps)	9 bar (130 psi)
Test pressure (pT)	27 bar (392 psi)
Burst pressure (pr)	≥ 55 bar (798 psi)
Ambient temperature range	-55 °C ≤ T ≤ +65 °C (-67 °F ≤ T ≤ +149 °F)
Altitude rating	40,000 ft. (12,192 m)
Discharge rating	9 - 10 seconds

Properties
TABLE 2

CAUTION: EXPOSURE OF THE FIRE EXTINGUISHER TO A TEMPERATURE ABOVE 65 °C (149 °F) CAN MAKE THE FIRE EXTINGUISHER INOPERABLE OVER THE TIME.

Refer to vendor service bulletin P3VSB000003 and SUBTASK [26-24-02-200-001-A03](#).

4. Configurations, Components and Dimensions

PART NUMBER	GROSS WEIGHT (MIN/MAX)	COLOR CODING (refer to Figure 1)	CONFIGURATION
P3APP003010A	2.076 KG (4.577 LBS) 2.183 KG (4.813 LBS)	Red	Standard
P3APP003010B	2.076 KG (4.577 LBS) 2.183 KG (4.813 LBS)	Red with yellow band	AUS standard
P3APP003010C	2.076 KG (4.577 LBS) 2.183 KG (4.813 LBS)	Red with green band	UK standard

Configurations and weights
TABLE 3



COMPONENTS MAINTENANCE MANUAL
HAFEX – HALON ALTERNATIVE FIRE EXTINGUISHER

Extinguisher must be installed with one of the following brackets:

PART NUMBER	GROSS WEIGHT (MIN/MAX)	COLOR CODING	CONFIGURATION
P3APP003020A	0.169 KG (0.373 LBS)	Light grey	2-strap design, poly- meric body
P3APP003020B	0.174 KG (0.384 LBS)	Light grey	Standard 2-strap design, polymeric body
P3APP003020D	0.213 KG (0.469 LBS)	Blank metal	Customized 1-strap design, metallic body
P3APP003020E	0.174 KG (0.384 LBS)	Light grey	Customized 2-strap design, polymeric body
P3APP003020F	0.186 KG (0.410 LBS)	Signal red	Customized 1-strap design, metallic body
P3APP003020G	0.174 KG (0.384 LBS)	Light grey	Customized 2-strap design, polymeric body
P3APP003020J	0.213 KG (0.469 LBS)	Jet black	Customized 1-strap design, metallic body

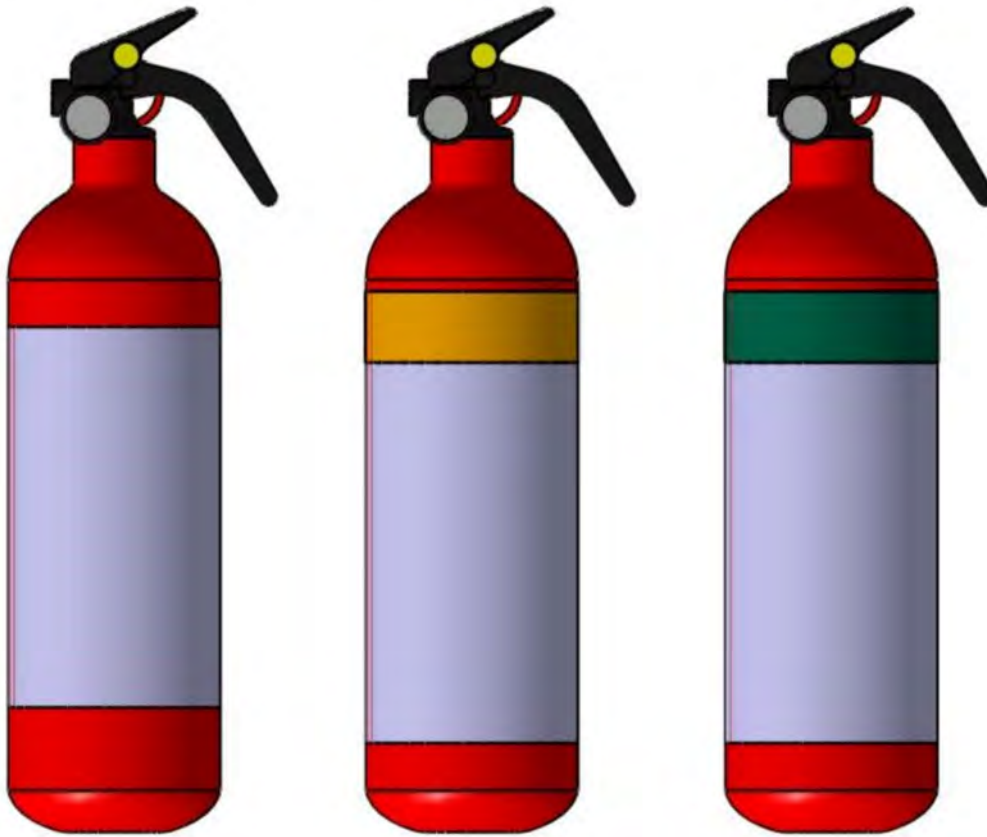
Configurations and weights
TABLE 4

See CMM 26-24-03 (internal number: P3DOC003242) for details on the brackets.



umlaut

COMPONENTS MAINTENANCE MANUAL
HAFEX – HALON ALTERNATIVE FIRE EXTINGUISHER



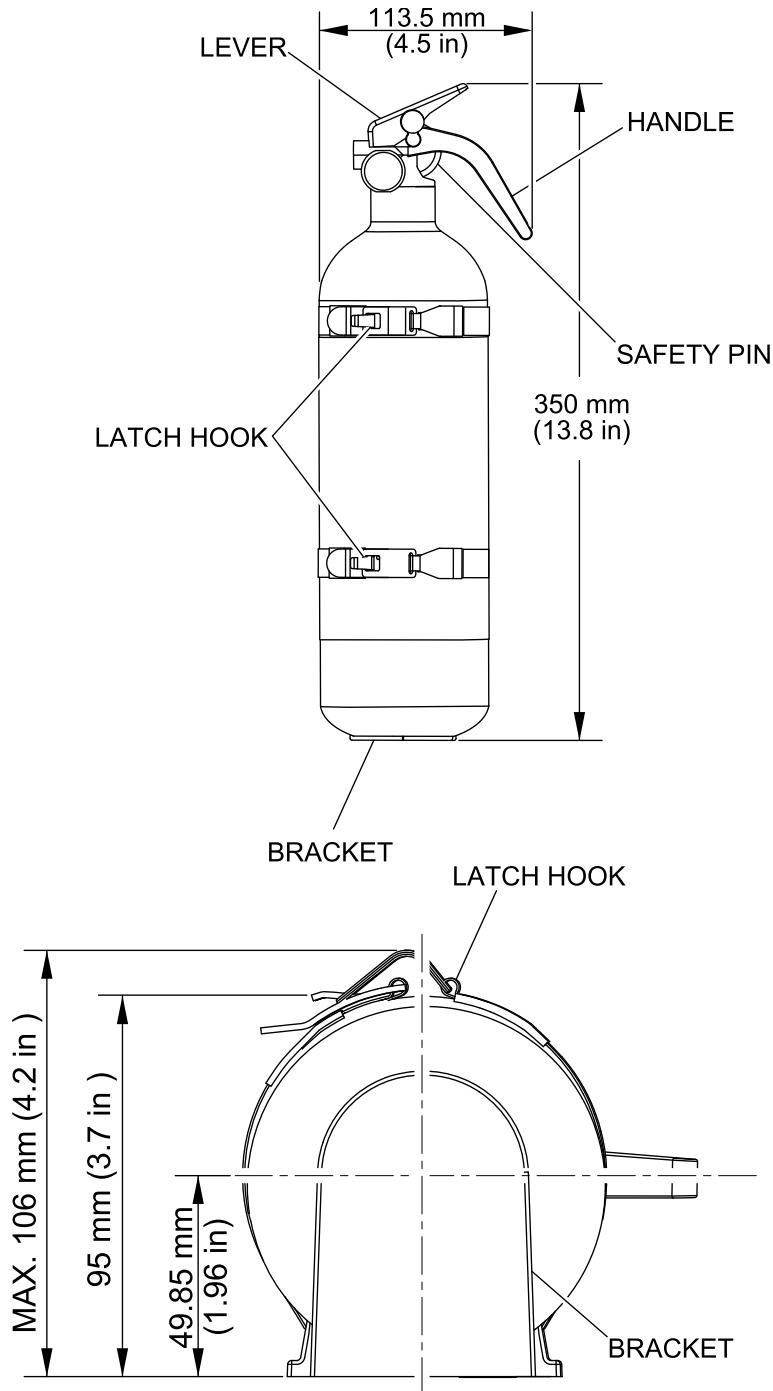
26240201

COLOR CODING
FIGURE 1/GRAPHIC 26-24-02-991-001-A01



umlaut

COMPONENTS MAINTENANCE MANUAL
HAFEX – HALON ALTERNATIVE FIRE EXTINGUISHER



26240202

COMPONENTS – HAFEX - HALON ALTERNATIVE FIRE EXTINGUISHER
FIGURE 2/GRAPHIC 26-24-02-991-002-A01



COMPONENTS MAINTENANCE MANUAL
HAFEX – HALON ALTERNATIVE FIRE EXTINGUISHER

**** FOR PNs P3APP003010A P3APP003010B P3APP003010C**

TASK 26-24-02-870-804-A01

Operation

**** FOR PNs P3APP003010A P3APP003010B P3APP003010C**

1. Operation of HAFEX Installed in 1-Strap Bracket

WARNING: OPERATING TIME: APPROX. 9 -10 SECONDS. IF THE EXTINGUISHER IS USED IN CONFINED, UNVENTILATED SPACES WITH LESS THAN 24 M³ (847.55 FT³), THE USAGE OF PROTECTIVE BREATHING EQUIPMENT IS RECOMMENDED.

- A. Pull the latch hook and open the strap.
- B. Remove the extinguisher from the bracket.
- C. Hold the extinguisher upright with one hand and remove the safety pin in a straight pull along its axis with the other hand.
- D. Aim the nozzle of the fire extinguisher at the base of the fire. The optimal distance to the fire- base is between 1.5 – 2 m (5 – 7 ft).
- E. Push the lever of the fire extinguisher. This will immediately start the flow of agent. Releasing the lever will interrupt the flow.
- F. Sweep the agent stream from side to side, until the fire is extinguished.
- G. Ventilate the area after usage.

**** FOR PNs P3APP003010A P3APP003010B P3APP003010C**

1. Operation of HAFEX Installed in 2-Strap Bracket

WARNING: OPERATING TIME: APPROX. 9 -10 SECONDS. IF THE EXTINGUISHER IS USED IN CONFINED, UNVENTILATED SPACES WITH LESS THAN 24 M³ (847.55 FT³), THE USAGE OF PROTECTIVE BREATHING EQUIPMENT IS RECOMMENDED.

- A. Pull the first latch hook and open the strap.
- B. Secure the extinguisher with one hand.
- C. Open the second latch hook.
- D. Remove the extinguisher from the bracket.
- E. Hold the extinguisher upright with one hand and remove the safety pin in a straight pull along its axis with the other hand.
- F. Aim the nozzle of the fire extinguisher at the base of the fire. The optimal distance to the fire- base is between 1.5 – 2 m (5 – 7 ft).
- G. Push the lever of the fire extinguisher. This will immediately start the flow of agent. Releasing the lever will interrupt the flow.
- H. Sweep the agent stream from side to side, until the fire is extinguished.
- I. Ventilate the area after usage.



umlaut

COMPONENTS MAINTENANCE MANUAL
HAFEX – HALON ALTERNATIVE FIRE EXTINGUISHER

TESTING AND FAULT ISOLATION

NOT APPLICABLE



umlaut

COMPONENTS MAINTENANCE MANUAL
HAFEX – HALON ALTERNATIVE FIRE EXTINGUISHER

INTENTIONALLY LEFT BLANK



umlaut

COMPONENTS MAINTENANCE MANUAL
HAFEX – HALON ALTERNATIVE FIRE EXTINGUISHER

DISASSEMBLY

NOT APPLICABLE



umlaut

COMPONENTS MAINTENANCE MANUAL
HAFEX – HALON ALTERNATIVE FIRE EXTINGUISHER

INTENTIONALLY LEFT BLANK



COMPONENTS MAINTENANCE MANUAL
HAFEX – HALON ALTERNATIVE FIRE EXTINGUISHER

CLEANING

**** FOR PNs P3APP003010A P3APP003010B P3APP003010C**

TASK 26-24-02-100-801-A01

Cleaning

1. General

- A. To remove grease and dust from the fire extinguisher, a cotton wiper (damp if necessary) is sufficient. Wipe off any residues of the cleaning agent from the lens of the pressure gauge.

NOTE Usage of cleaning agents is restricted to Isopropyl Alcohol and mild liquid detergents.

NOTE Make sure that extinguishing agent outlet is clean and free from foreign objects.



umlaut

COMPONENTS MAINTENANCE MANUAL
HAFEX – HALON ALTERNATIVE FIRE EXTINGUISHER

INTENTIONALLY LEFT BLANK



COMPONENTS MAINTENANCE MANUAL
HAFEX – HALON ALTERNATIVE FIRE EXTINGUISHER

INSPECTION/CHECK

**** FOR PNs P3APP003010A P3APP003010B P3APP003010C**

TASK 26-24-02-200-801-A01

Inspection and Check of the HAFEX

1. General
 - A. Self-explanatory

2. Procedure
SUBTASK 26-24-02-200-001-A01

A. Monthly Inspection

WARNING: THE EXTINGUISHER IS A PRESSURIZED EQUIPMENT WITH A LIMITED LIFE- TIME AND LIABLE TO HAVE A SERIAL NUMBER. MONITOR SERIAL NUMBER TO MAKE SURE THAT THE CORRECT MAINTENANCE INTERVALS ARE FOLLOWED AND THE EXTINGUISHER IS REMOVED FROM SERVICE IN TIME.

CAUTION: PERIOD BETWEEN CHECKS MUST NOT BE LONGER THAN 31 DAYS. IF AN EXTRAORDINARY INCIDENT OCCURS, CHECK EXTINGUISHER.

CAUTION: EXTINGUISHERS THAT DO NOT MEET INSPECTION REQUIREMENTS MUST BE REPLACED OR REPAIRED.

NOTE: The stored extinguishers only have to be checked before their installation.

(1) Make sure that on the halon alternative fire extinguisher (HAFEX):

- the safety pin is in position and the struts of the safety seal (tamper indicator) are not damaged, refer to Figure 5002.

CAUTION: IF IN DOUBT, THE EXTINGUISHER HAS BEEN USED, DO NOT REPLACE THE PARTS. INSTEAD, REMOVE THE EXTINGUISHER FROM SERVICE AND SCRAP IT.

CAUTION: BE VERY CAREFUL WHEN YOU DO WORK ON THE FIRE EXTINGUISHER, DO NOT APPLY TOO MUCH FORCE ON THE SAFETY SEAL AS IT BREAKS EASILY.

NOTE: A damaged safety pin or safety seal can be replaced, if it is ensured, that the extinguisher was not used, see chapter **REPAIR**.

- the label is readable. If not and the damage is permanent, discard the extinguisher.
- the nozzle is unobstructed and undamaged. If the nozzle is obstructed, clean it. If it is damaged, discard the extinguisher.
- there are no visual damages of extinguisher which could impair functionality or safety. If the damages are not repairable, discard the damaged part.
- there is no corrosion and wear of extinguisher which could impair functionality or safety. If the corrosion or wear might affect functionality or safety, discard the part.
- the extinguisher is not empty by estimating the weight by hefting (or weighing).



COMPONENTS MAINTENANCE MANUAL
HAFEX – HALON ALTERNATIVE FIRE EXTINGUISHER

- if the pressure is within the green (operable) area.

NOTE: The pressure depends on the temperature and therefore varies within the green area, and the pressure gauge has tolerances:

**** FOR PNs P3APP003010A P3APP003010B P3APP003010C**

Reference points	Pressure
-40°C (-40°F)	6.6 bar (95 psi)
+20°C (68°F)	9 bar (130 psi)
+70°C (158°F)	12.8 bar (185 psi)

PRESSURE GAUGE TOLERANCES
TABLE 5

SUBTASK 26-24-02-200-001-A02

A. Recurring Inspection

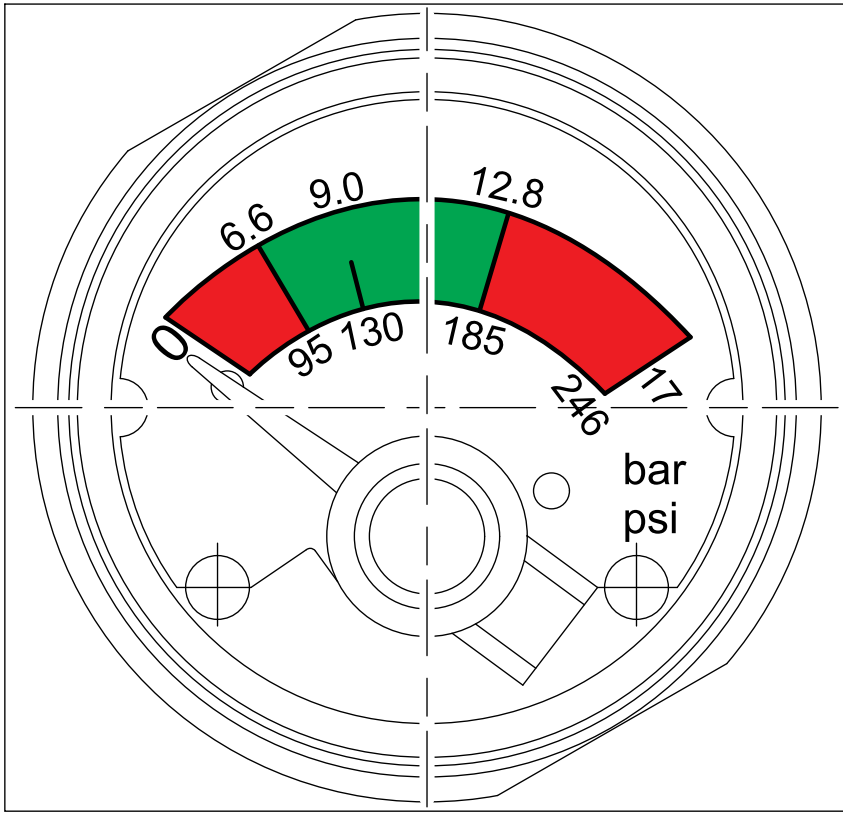
- (1) In addition to the INSPECTION/CHECK SUBTASK 26-24-02-200-001-A01, the extinguisher has to be weighed with a calibrated scale once every 24 month. If the weight falls below the minimum gross weight (see TABLE 3), discard the extinguisher. The measured weight and date of weighing have to be noted on an applicable placard, which is in accordance with your national regulations.

NOTE: Do not do any inspections during storage. Do the inspection before the installation of the fire extinguisher to make sure that it operates properly.



COMPONENTS MAINTENANCE MANUAL
HAFEX – HALON ALTERNATIVE FIRE EXTINGUISHER

**** FOR PNs P3APP003010A P3APP003010B P3APP003010C**

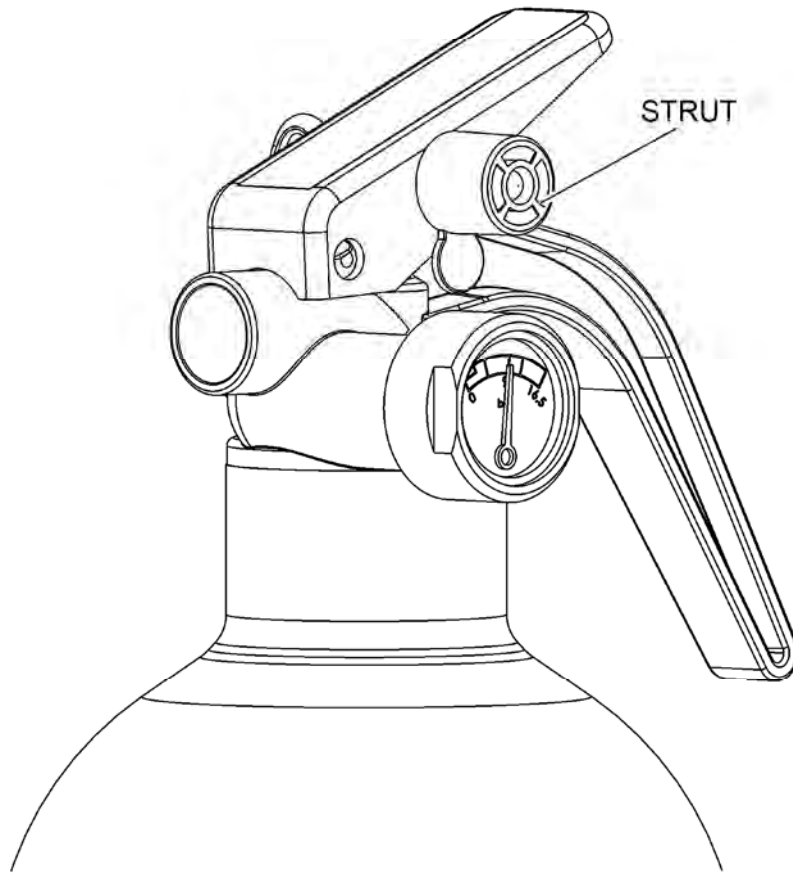


2624025001

PRESSURE GAUGE
FIGURE 5001/GRAPHIC 26-24-02-991-011-A01



COMPONENTS MAINTENANCE MANUAL
HAFEX – HALON ALTERNATIVE FIRE EXTINGUISHER



2624025002

SAFETY SEAL
FIGURE 5002/GRAPHIC 26-24-02-991-02-A01



COMPONENTS MAINTENANCE MANUAL
HAFEX – HALON ALTERNATIVE FIRE EXTINGUISHER

SUBTASK 26-24-02-200-001-A03

A. Conditional Inspection

(1) Perform the following inspection before installation and do it again and again at least every six months and after 30 days with A/C on ground (See EASA AD 2021-0185):

- Remove the fire extinguisher from its bracket. Refer to **REMOVAL**.
- Put the fire extinguisher in a vertical position onto a flat and even surface with the safety pin in position. Refer to **Figure 5003**.
- Use only one finger and carefully push the lever up with a low force. Refer to **Figure 5004**.
- Release the lever.

NOTE: THE LEVER MUST MOVE DOWN BY ITS OWN.

- Do a check for the possible clearance between the safety pin and the valve head (Do not touch the lever): Examine visually if the safety pin touches the valve head. Refer to **Figure 5005**.
- CASE 1: If the safety pin touches the valve head: the fire extinguisher can operate. No more steps are necessary.
- CASE 2: If the safety pin does not touch the valve head: if there is a clearance or not sure about the condition, then continue the below steps.
- Push the lever down with one finger and low force to close the possible clearance.
- Release the lever.
- Do a check if the safety pin stays in its position or if it moves back up on its own after the release of the lever.
- CASE 3: If the lever does not move up on its own and stays in its position (without a clearance between safety pin and valve head, refer to **Figure 5005**): the fire extinguisher can operate. No more steps are necessary.
- CASE 4: If the lever moves back into its old position on its own (if shows a possible clearance again): the extinguisher can malfunction, it cannot operate and replacement is necessary. Refer to the design holder instructions.

NOTE: THE CHECK PROCEDURE IS REPEATABLE. REPEAT THE TEST IF NEEDED.

- Report the quantities of checked/failed fire extinguishers to UMLAUT engineering and the responsible design holder.

NOTE: THE EXTINGUISHER WHICH CANNOT OPERATE POSSESSES NO RISK TO CREW OR PASSENGERS BUT IS LIKELY NOT TO FULFIL ITS INTENDED FUNCTION.



COMPONENTS MAINTENANCE MANUAL
HAFEX – HALON ALTERNATIVE FIRE EXTINGUISHER

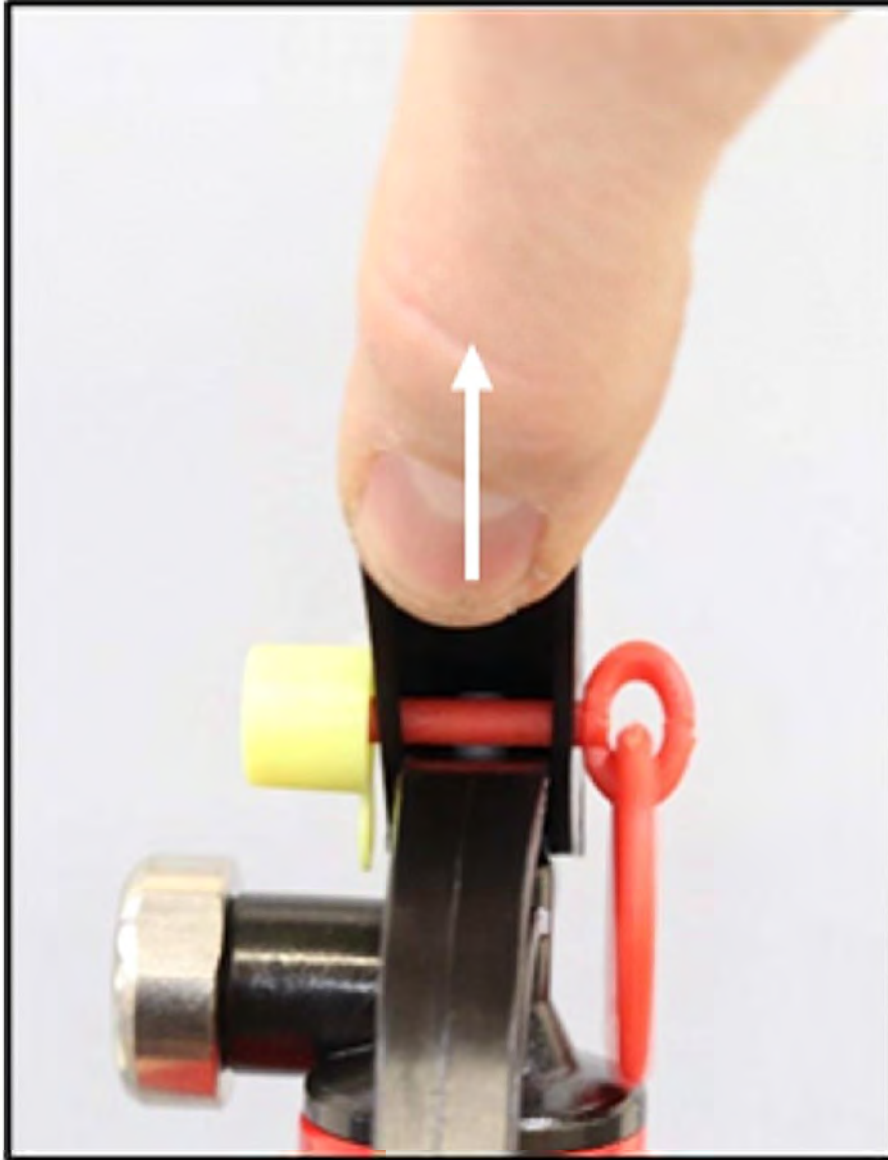


2624025003

VERTICAL POSITION
FIGURE 5003/GRAPHIC 26-24-02-991-017-A01



COMPONENTS MAINTENANCE MANUAL
HAFEX – HALON ALTERNATIVE FIRE EXTINGUISHER

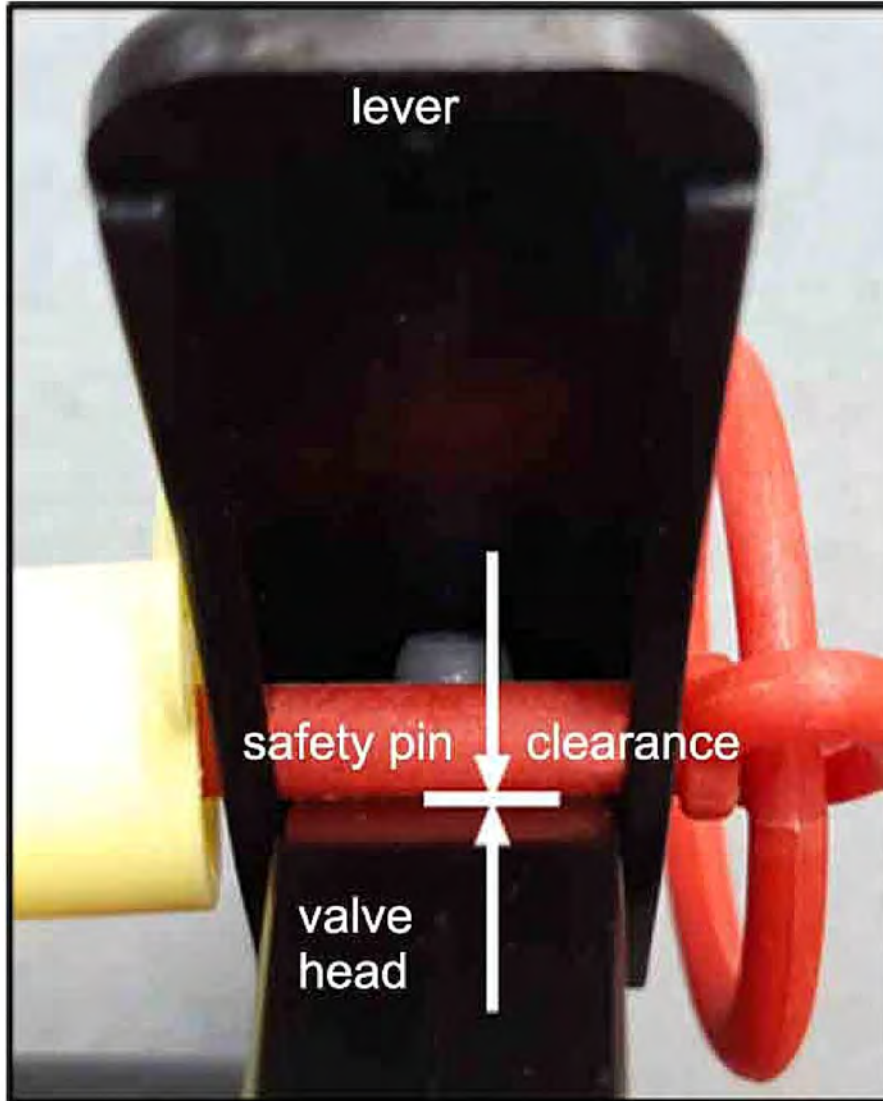


PULL LEVER UP
FIGURE 5004/GRAPHIC 26-24-02-991-018-A01

2624025004



COMPONENTS MAINTENANCE MANUAL
HAFEX – HALON ALTERNATIVE FIRE EXTINGUISHER



2624025005

CLEARANCE
FIGURE 5005/GRAPHIC 26-24-02-991-019-A01



COMPONENTS MAINTENANCE MANUAL
HAFEX – HALON ALTERNATIVE FIRE EXTINGUISHER

REPAIR

**** FOR PNs P3APP003010A P3APP003010B P3APP003010C**

TASK 26-24-02-300-801-A01

1. General

A. Parts that do not meet inspection requirements must be replaced.

NOTE: Prior to starting repair operations, personnel must read carefully all instructions and study the illustration applicable to the equipment undergoing repair.

2. Procedure

Subtask 26-24-02-300-001-A01

A. Replacement of Safety Pin and Seal

CAUTION: MAKE SURE NOT TO ACTUATE THE EXTINGUISHER DURING THE REPLACEMENT PROCEDURE.

(1) Removal of safety pin and seal

(a) Remove the extinguisher, see chapter **REMOVAL**.

(b) Pull the safety pin in the line of its axis and remove it from the lever. This also removes the safety seal.

NOTE: If some parts of the pin or seal are broken and cannot be removed without increased force, use a wire cutter to cut the safety pin.

(2) Installation of safety pin and seal

NOTE: Make sure to not break the seal during the installation.

(a) Insert the new safety pin into the holes of the lever from the opposite side of the pressure gauge.

(b) Install the new safety seal on the safety pin by inserting the end of the safety pin into the center hole of the seal.

NOTE: Make sure that the latch of the safety seal is on the inner side, facing the lever.

(c) Assemble seal and pin by pushing with a finger on the center of the seal until it locks onto the pin.

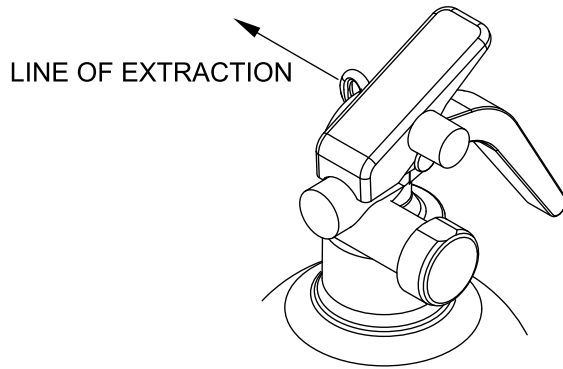
NOTE: Make sure that your finger is fully on the front of the safety seal to apply the force equally. Examine the struts of the safety seal for signs of damage.

(d) Place the extinguisher in the bracket with the face of the pressure gauge facing outwards.

(e) Install the repaired extinguisher, see chapter **INSTALLATION**.



COMPONENTS MAINTENANCE MANUAL
HAFEX – HALON ALTERNATIVE FIRE EXTINGUISHER

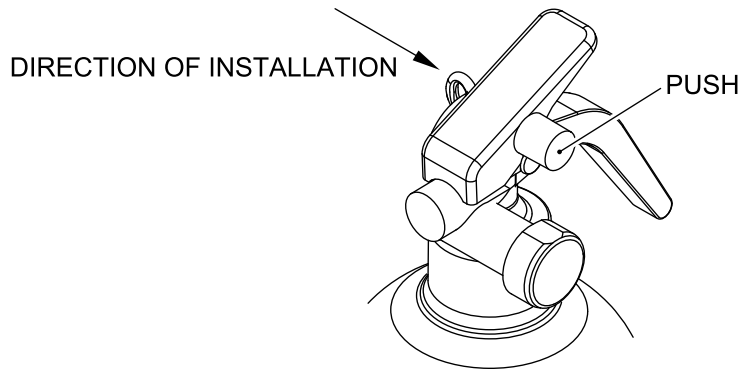


2624026001

LINE OF EXTRACTION
FIGURE 6001/GRAPHIC 26-24-02-991-015-A01



COMPONENTS MAINTENANCE MANUAL
HAFEX – HALON ALTERNATIVE FIRE EXTINGUISHER



2624026002

SAFETY PIN INSTALLATION
FIGURE 6002/GRAPHIC 26-24-02-991-016-A01



umlaut

COMPONENTS MAINTENANCE MANUAL
HAFEX – HALON ALTERNATIVE FIRE EXTINGUISHER

INTENTIONALLY LEFT BLANK



umlaut

COMPONENTS MAINTENANCE MANUAL
HAFEX – HALON ALTERNATIVE FIRE EXTINGUISHER

ASSEMBLY

NOT APPLICABLE



umlaut

COMPONENTS MAINTENANCE MANUAL
HAFEX – HALON ALTERNATIVE FIRE EXTINGUISHER

INTENTIONALLY LEFT BLANK



umlaut

COMPONENTS MAINTENANCE MANUAL
HAFEX – HALON ALTERNATIVE FIRE EXTINGUISHER

FITS AND CLEARANCES

NOT APPLICABLE



umlaut

COMPONENTS MAINTENANCE MANUAL
HAFEX – HALON ALTERNATIVE FIRE EXTINGUISHER

INTENTIONALLY LEFT BLANK



umlaut

COMPONENTS MAINTENANCE MANUAL
HAFEX – HALON ALTERNATIVE FIRE EXTINGUISHER

SPECIAL TOOLS, FIXTURES, EQUIPMENT AND CONSUMABLES

NOT APPLICABLE



umlaut

COMPONENTS MAINTENANCE MANUAL
HAFEX – HALON ALTERNATIVE FIRE EXTINGUISHER

INTENTIONALLY LEFT BLANK



umlaut

COMPONENTS MAINTENANCE MANUAL
HAFEX – HALON ALTERNATIVE FIRE EXTINGUISHER

SPECIAL PROCEDURES

NOT APPLICABLE



umlaut

COMPONENTS MAINTENANCE MANUAL
HAFEX – HALON ALTERNATIVE FIRE EXTINGUISHER

INTENTIONALLY LEFT BLANK



COMPONENTS MAINTENANCE MANUAL
HAFEX – HALON ALTERNATIVE FIRE EXTINGUISHER

REMOVAL

**** FOR PNs P3APP003010A P3APP003010B P3APP003010C**

Removal of the HAFEX

1. General
 - A. Self-explanatory
2. Procedure
 - A. Removal of the Extinguisher from 1-Strap Brackets
 - (1) Remove the extinguisher from the bracket as follows:
 - (a) Pull the latch hook and open the strap.
 - (b) Remove the extinguisher from the bracket.
 - A. Removal of the Extinguisher from 2-Strap Brackets
 - (1) Remove the extinguisher from the bracket as follows:
 - (a) Pull the latch hook of the first strap.
 - (b) Secure the extinguisher with one hand.
 - (c) Open the second strap.
 - (d) Remove the extinguisher.



umlaut

COMPONENTS MAINTENANCE MANUAL
HAFEX – HALON ALTERNATIVE FIRE EXTINGUISHER

INTENTIONALLY LEFT BLANK



COMPONENTS MAINTENANCE MANUAL
HAFEX – HALON ALTERNATIVE FIRE EXTINGUISHER

INSTALLATION

**** FOR PNs P3APP003010A P3APP003010B P3APP003010C**

Installation of the HAFEX

1. General
 - A. Self-explanatory
2. Procedure
 - A. Installation of the Extinguisher to 1-Strap Brackets
 - (1) Install the extinguisher on the bracket as follows:
 - (a) Place the extinguisher in the bracket with the face of the pressure gauge facing outwards.
 - (b) Align the position of the latch hook.
 - (c) Close the strap.
 - A. Installation of the Extinguisher to 2-Strap Brackets
 - (1) Install the extinguisher on the bracket as follows:
 - (a) Place the extinguisher in the bracket with the face of the pressure gauge facing outwards.
 - (b) Align the position of the latch hook of the upper strap and close it.
 - (c) Align the position of the latch hook of the lower strap and close it.



umlaut

COMPONENTS MAINTENANCE MANUAL
HAFEX – HALON ALTERNATIVE FIRE EXTINGUISHER

INTENTIONALLY LEFT BLANK



umlaut

COMPONENTS MAINTENANCE MANUAL
HAFEX – HALON ALTERNATIVE FIRE EXTINGUISHER

SERVICING

NOT APPLICABLE



umlaut

COMPONENTS MAINTENANCE MANUAL
HAFEX – HALON ALTERNATIVE FIRE EXTINGUISHER

INTENTIONALLY LEFT BLANK



COMPONENTS MAINTENANCE MANUAL
HAFEX – HALON ALTERNATIVE FIRE EXTINGUISHER

STORAGE INCLUDING TRANSPORTATION

**** FOR PNs P3APP003010A P3APP003010B P3APP003010C**

TASK 26-24-02-550-801-A01

Storage Data

1. General
 - A. Self-explanatory
2. Procedure
SUBTASK 26-24-02-550-001-A01
 - A. Storage

NOTE: Do not do any inspections during storage. Do the INSPECTION/CHECK TASK 26-24-02-200-801-A01 and SUBTASK 26-24-02-200-001-A03 before the installation of the fire extinguisher to make sure that it operates properly.

- (1) Extinguishers should be kept preferably in dry atmosphere in any attitude.
- (2) Permanent storage temperature: -40°C (-40°F) to +49°C (+120°F).
- (3) Decommissioning (End of lifetime)

WARNING: DO NOT RELEASE IN CLOSED, UNVENTILATED SPACES. EMPTY EXTINGUISHERS MUST BE DISCARDED IN ACCORDANCE WITH THE LOCAL REGULATIONS.

- (a) Charged extinguishers, which are removed from service due to end of lifetime or damage, must be discharged and discarded in accordance with the local regulations.



umlaut

COMPONENTS MAINTENANCE MANUAL
HAFEX – HALON ALTERNATIVE FIRE EXTINGUISHER

INTENTIONALLY LEFT BLANK



umlaut

COMPONENTS MAINTENANCE MANUAL
HAFEX – HALON ALTERNATIVE FIRE EXTINGUISHER

REWORK

NOT APPLICABLE

26-24-02

Rev. No.
Rev. Date
Page

00
Nov 26/2019
16001



umlaut

COMPONENTS MAINTENANCE MANUAL
HAFEX – HALON ALTERNATIVE FIRE EXTINGUISHER

INTENTIONALLY LEFT BLANK



umlaut

COMPONENTS MAINTENANCE MANUAL
HAFEX – HALON ALTERNATIVE FIRE EXTINGUISHER

ILLUSTRATED PARTS LIST

26-24-02

Rev. No.
Rev. Date
Page

00
Nov 26/2019
IPL-TP 10001



umlaut

COMPONENTS MAINTENANCE MANUAL
HAFEX – HALON ALTERNATIVE FIRE EXTINGUISHER

INTENTIONALLY LEFT BLANK



COMPONENTS MAINTENANCE MANUAL
HAFEX – HALON ALTERNATIVE FIRE EXTINGUISHER

IPL INTRODUCTION

1. General Information

- A. This ILLUSTRATED PARTS LIST (IPL) contains the complete listing of all replaceable major assemblies of the HAFEX - HALON ALTERNATIVE FIRE EXTINGUISHER

2. Organization

- A. The IPL is divided into the following sections:

(1) Introduction

The introduction contains all explanatory information for the individual sections as is necessary for using the IPL. The introduction further contains a list of manufacturer codes together with manufacturer names and addresses.

(2) Numerical Index

This section contains a listing of part numbers of all items listed in the detailed parts list in alphanumerical sequence with cross-reference to respective Fig./Item Nos. as well as units per assy.

The order of precedence in beginning the part number arrangement at the outmost left-hand (first) position is as follows:

- letters A through Z (except 'O' to be considered as zero)
- numerals 0 to 9.

For subsequent rows, the order is:

- letters A through Z (except 'O' to be considered as zero)
- numerals 0 to 9.

(3) Detailed Parts List

(a) Column “FIG. / ITEM”

The first number in the first line of a page indicates the number of the figure illustrating the part. The second number indicates the item number by which the part is identified on the illustration. A dash placed before the item number indicates that the part is not illustrated.

(b) Column “PART NUMBER”

The part number column contains the original manufacturers' part numbers. When standard part numbers are used, the standard part number is listed in this column.

(c) Column “AIRLINE STOCK NO.”

This column is left blank for airline internal use.

(d) Column “NOMENCLATURE”

– Indenture System



COMPONENTS MAINTENANCE MANUAL
HAFEX – HALON ALTERNATIVE FIRE EXTINGUISHER

The indenture system used in the Detailed Parts List shows the relationship of parts and assemblies to next higher assemblies as follows:

1234567

Assembly

Attaching Parts for Assembly

* * *

. Detail Parts for Assembly

. . Subassembly

. . Attaching Parts for Subassembly

* * *

. . . Detail Parts for Subassembly

. . . . Sub-Subassembly

. . . . Attaching Parts for Sub-Subassembly

* * *

. Detail Parts for Sub-Subassembly

– Attaching parts

The attaching parts are shown directly after the assembly or the part thereof. They are listed below the same indenture number as the item they attach, and are preceded by the words 'ATTACHING PARTS' and are followed by three asterisks.

– Vendor Codes

Parts manufactured by companies other than umlaut engineering GmbH are identified by an applicable vendor code following the nomenclature.

Vendor codes are in accordance with current issues of U.S. Federal Supply Codes for Manufacturer Handbooks H4-1, H4-2 and H4-3 and/ or in accordance with applicable European regulations and are preceded by the letter 'V'. Standard parts such as AN, DIN, MS etc. are not identified by a vendor code. When there is no known vendor code, the abbreviated name of the vendor is listed in lieu of the vendor code.

(e) Column “EFF CODE”

Alpha variants A-Z (except I and O) can be assigned to an existing item number in the FIG-ITEM column to show configuration differences, optional parts, etc. Alpha variant items are not shown on the illustration when the appearance and location of the alpha variant are the same as the basic item. In the EFF CODE column, part



COMPONENTS MAINTENANCE MANUAL
HAFEX – HALON ALTERNATIVE FIRE EXTINGUISHER

applicability is indicated with respect to the top assemblies. A part shown with an effectivity code is only used in the top assembly variant which has the same effectivity code. The absence of a code indicates that the part is common to all variants of the top assembly.

(f) Column “UNITS PER ASSY”

This column contains the quantity of a specific catalog sequence numbered part required in the build sequence of only one (where more than one exists), next higher sub-sub-assembly, sub-assembly, assembly, or installation level as applicable. For bulk items, the letters 'AR' are inserted in the quantity column to indicate 'As Required'. Whenever items are listed for reference purposes, 'RF' is inserted.

3. How to use the IPL

A. If the part number is known

- (1) Find the part number in the numerical index and note figure and item number.
- (2) Turn to figure.
- (3) Locate the part on the illustration and in the parts list by item number.

B. If the part number is unknown

- (1) Please refer to Figure 1A and look for the figure item number of the part.
- (2) Note the figure item number.
- (3) Turn to the figure item list and find the corresponding part number.

C. umlaut engineering GmbH Part Numbering System

- (1) Each part, assembly and installation are assigned a "Part" number consisting of the basic engineering drawing number. Supplementary numbers appended to the engineering drawing number identify parts, assemblies or installations which are detailed.



umlaut

COMPONENTS MAINTENANCE MANUAL
HAFEX – HALON ALTERNATIVE FIRE EXTINGUISHER

INTENTIONALLY LEFT BLANK



COMPONENTS MAINTENANCE MANUAL
HAFEX – HALON ALTERNATIVE FIRE EXTINGUISHER

NUMERICAL INDEX

PART NUMBER	AIRLINE STOCK NUMBER	FIG.	ITEM	TTL REQ
P3APP003010A		1	001A	RF
P3APP003010B		1	001B	RF
P3APP003010C		1	001C	RF
P3PRT003090A		1	10	1
P3PRT003090B		1	10A	1
P3PRT003091A		1	20	1
P3PRT003091B		1	20A	1
P3PRT000003M		1	30	1



umlaut

COMPONENTS MAINTENANCE MANUAL
HAFEX – HALON ALTERNATIVE FIRE EXTINGUISHER

INTENTIONALLY LEFT BLANK



umlaut

COMPONENTS MAINTENANCE MANUAL
HAFEX – HALON ALTERNATIVE FIRE EXTINGUISHER

DETAILED PARTS LIST

26-24-02

Rev. No.
Rev. Date
Page

00
Nov 26/2019
DPL 10001



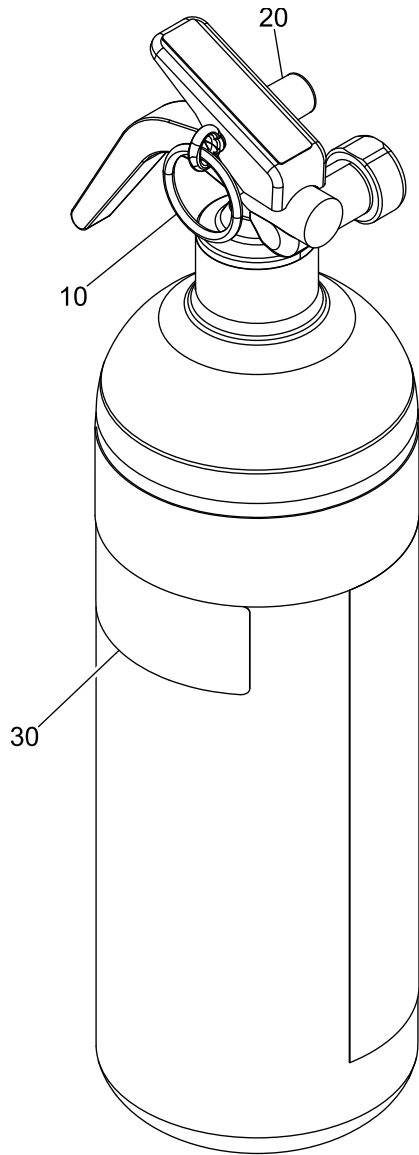
umlaut

COMPONENTS MAINTENANCE MANUAL
HAFEX – HALON ALTERNATIVE FIRE EXTINGUISHER

INTENTIONALLY LEFT BLANK



COMPONENTS MAINTENANCE MANUAL
HAFEX – HALON ALTERNATIVE FIRE EXTINGUISHER



2624020101

HAFEX - HALON ALTERNATIVE FIRE EXTINGUISHER
FIGURE 1/GRAPHIC 26-24-02-950-001-A01



COMPONENTS MAINTENANCE MANUAL
HAFEX – HALON ALTERNATIVE FIRE EXTINGUISHER

FIG. ITEM	PART NUMBER	AIRL. STOCK NO.	NOMENCLATURE 1234567	EFF CODE	UPA
1					
– 001A	P3APP003010A		HAFEX - HALON ALTERNATIVE FIRE EXTINGUISHER — STANDARD	A	RF
– 001B	P3APP003010B		HAFEX - HALON ALTERNATIVE FIRE EXTINGUISHER — AUS STANDARD	B	RF
– 001C	P3APP003010C		HAFEX - HALON ALTERNATIVE FIRE EXTINGUISHER — UK STANDARD	C	RF
10	P3PRT003090A		.PIN, REPLACEMENT SAFETY (PRE SB 3010–26–000)		1
– 10A	P3PRT003090B		.PIN, REPLACEMENT SAFETY (POST SB 3010–26–000)		1
20	P3PRT003091A		.SEAL, REPLACEMENT SAFETY (PRE SB 3010-26-000)		1
– 20A	P3PRT003091B		.SEAL, REPLACEMENT SAFETY (POST SB 3010-26-000)		1
30	P3PRT000003M		.LABEL, AMENDMENT (POST SB BRACKET, HAFEX)	A B C	1

– ITEM NOT ILLUSTRATED